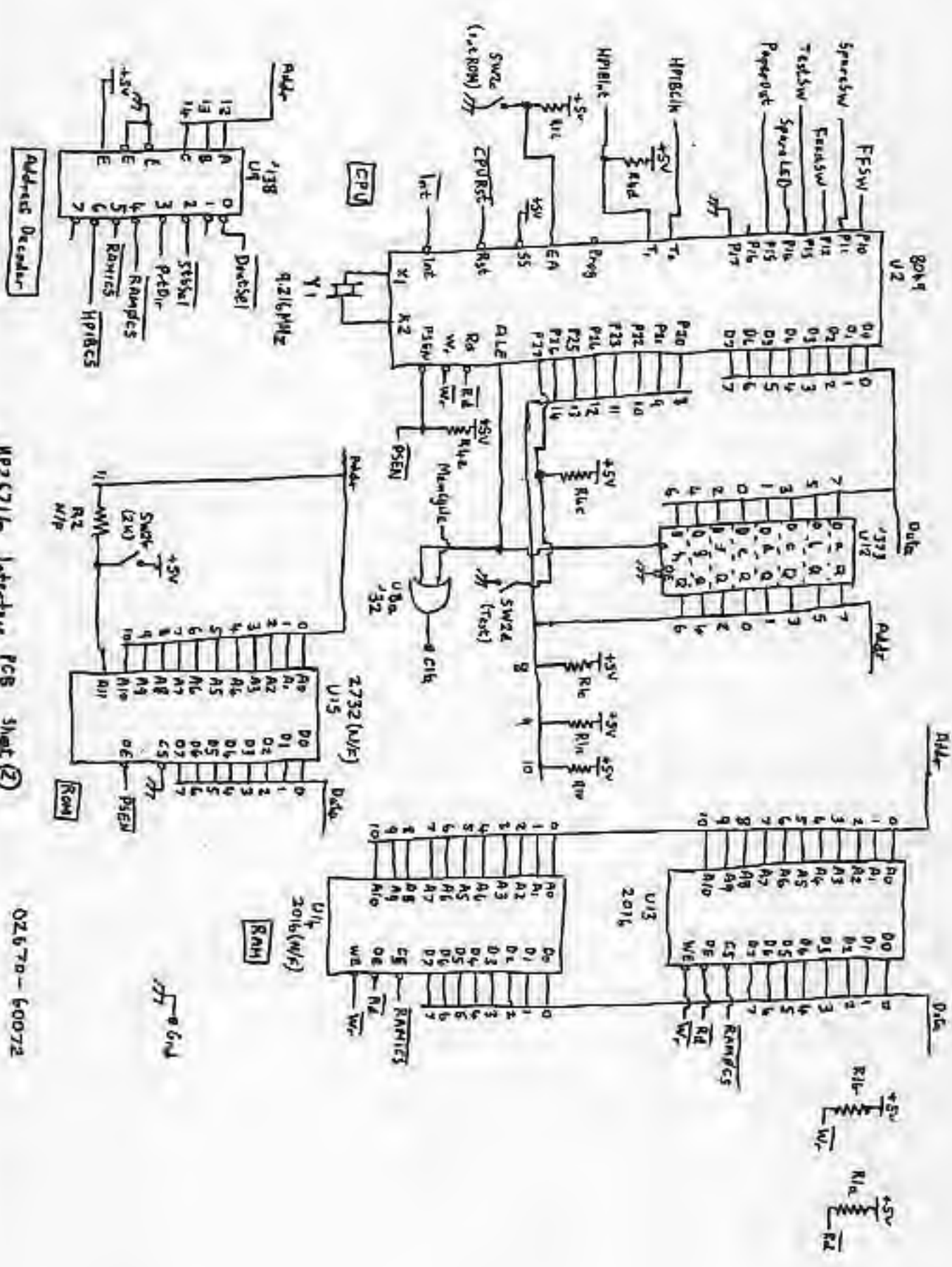
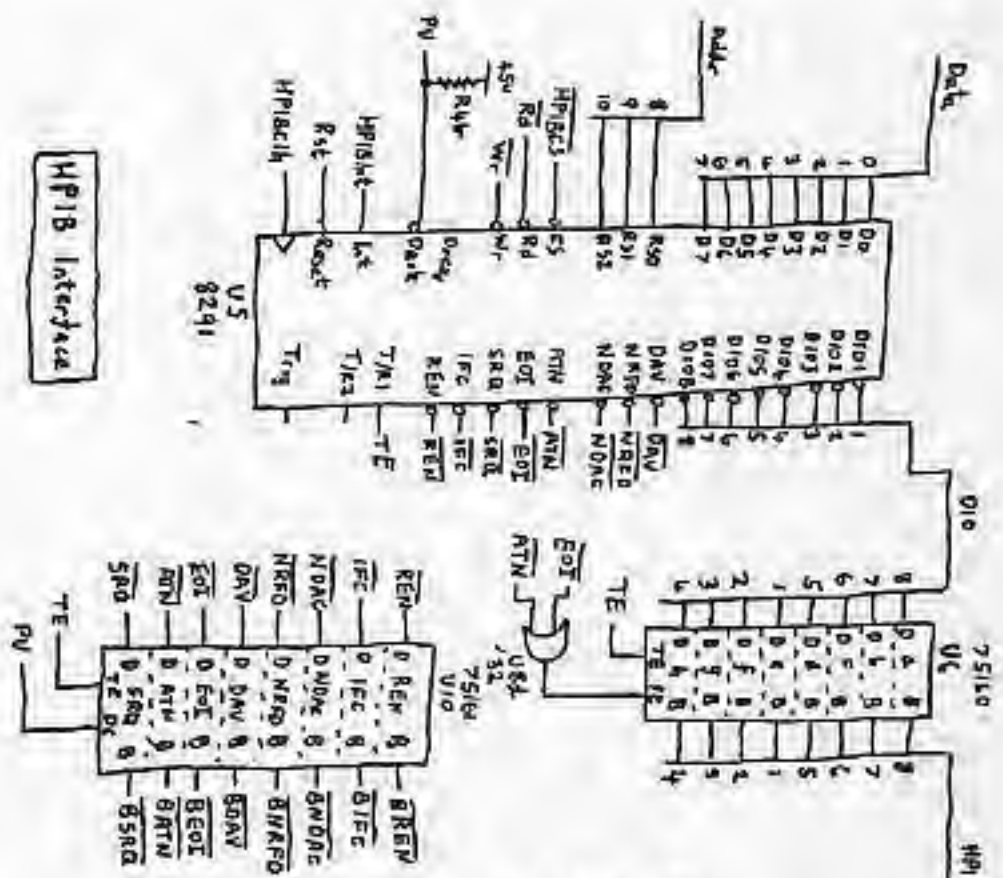


HP2671G Interface PCB Sheet 1 02670-60072

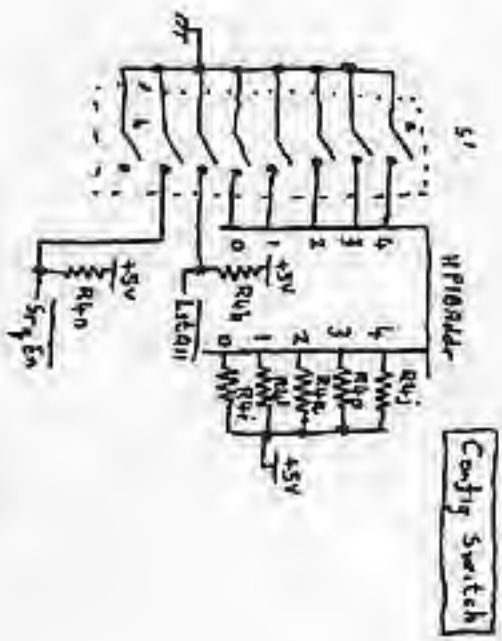
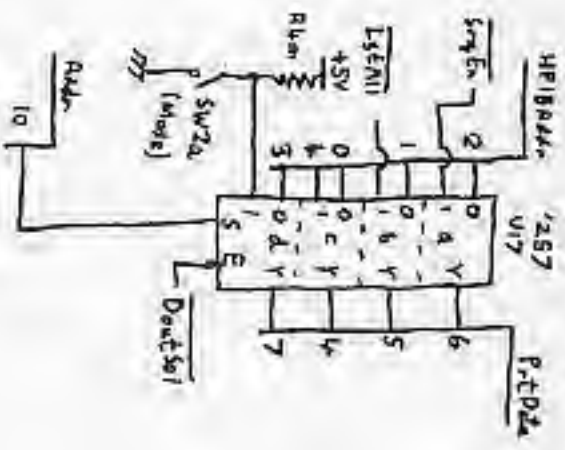
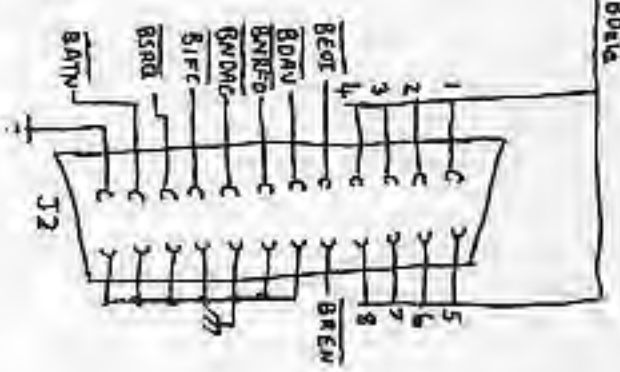


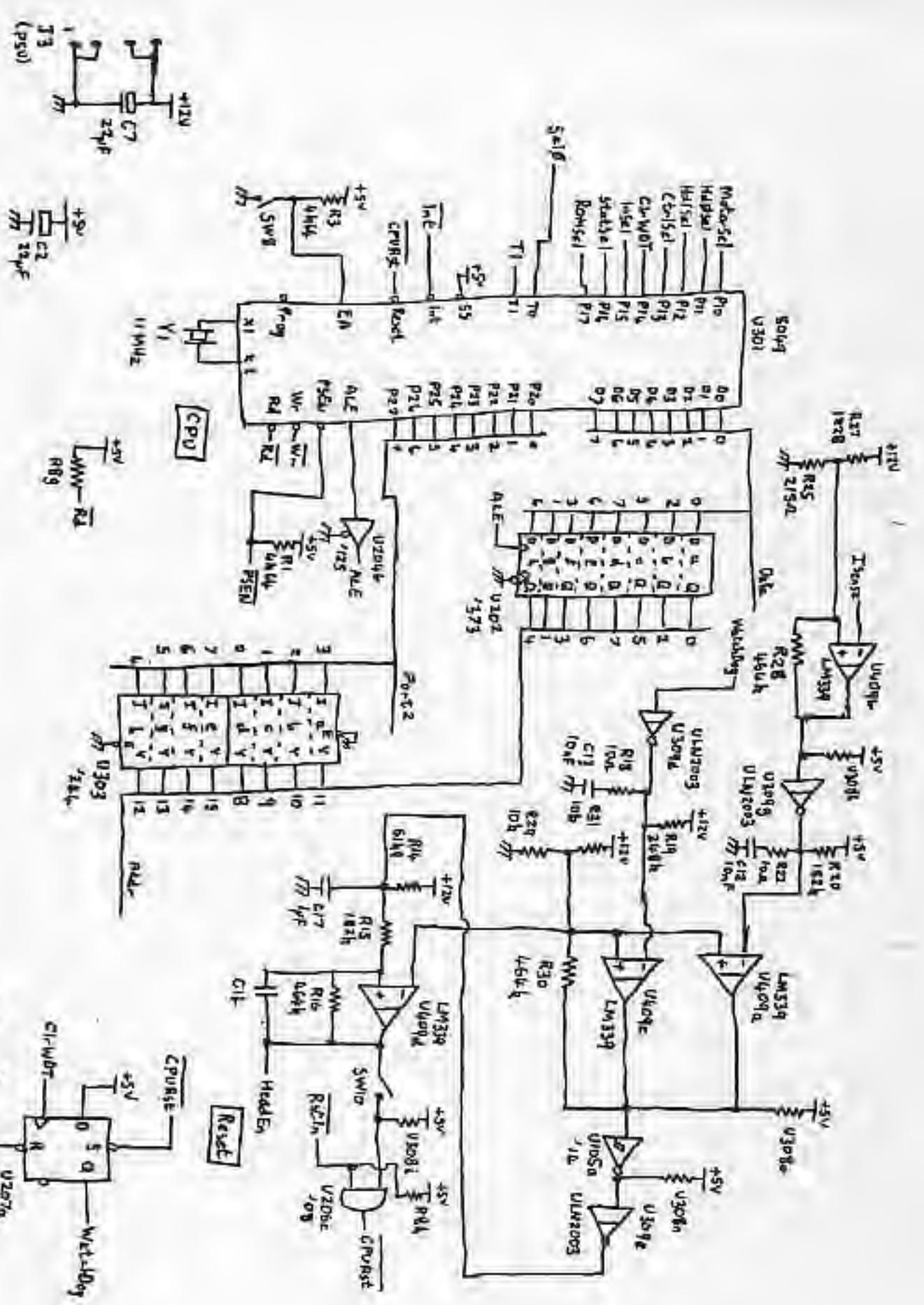
HPZ6716 Interface PCB Sheet 2

OZ670-60072

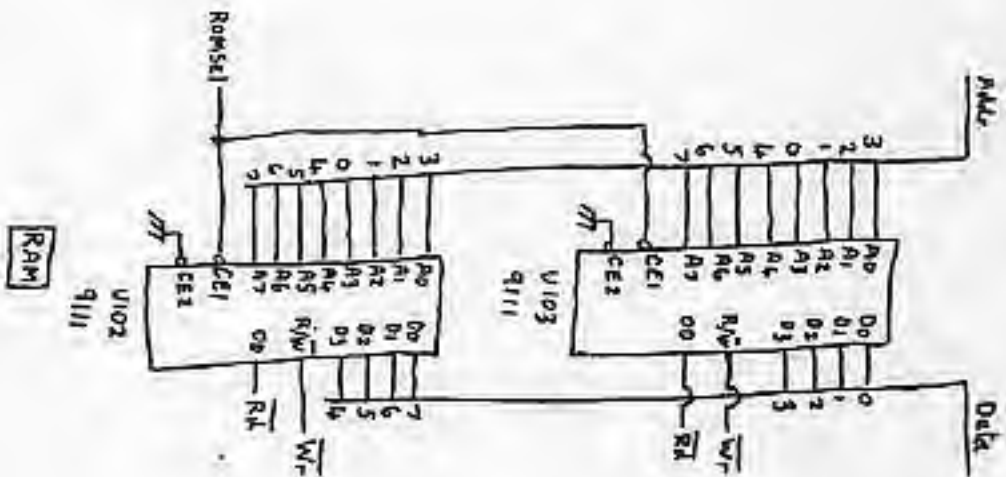
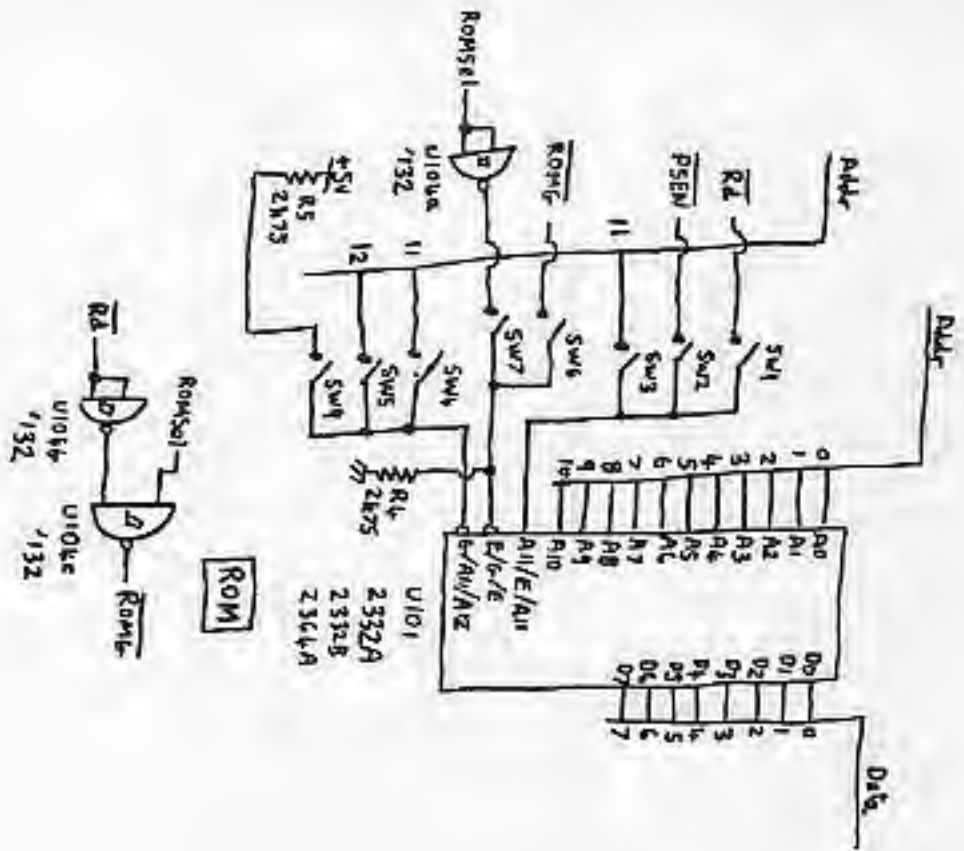


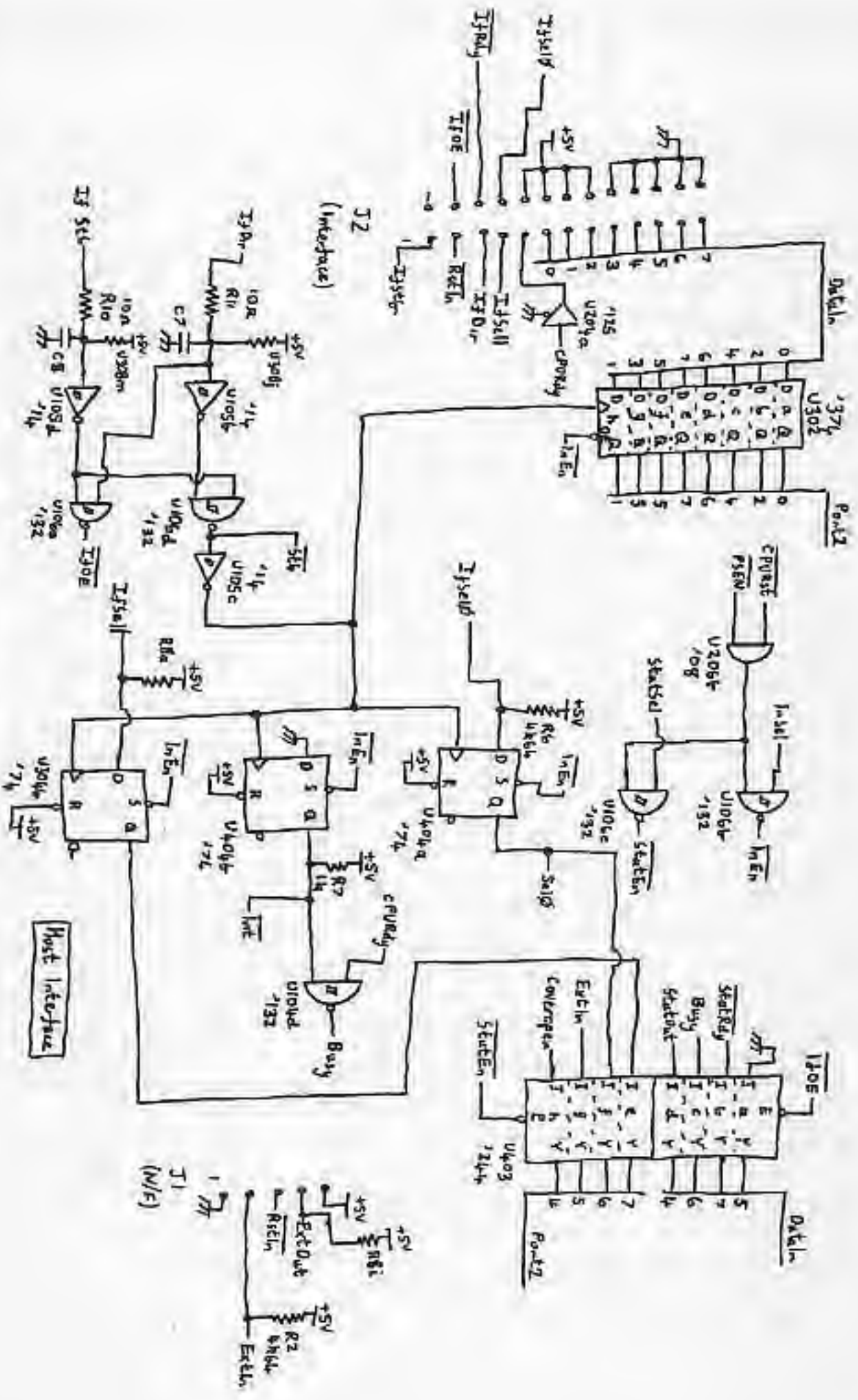
HP1B Interface





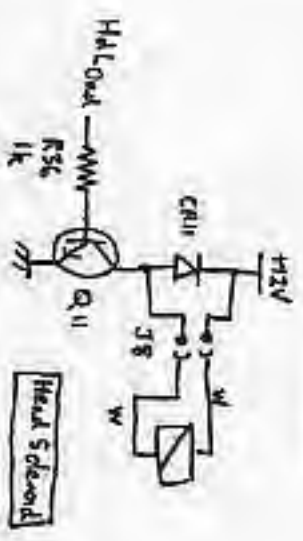
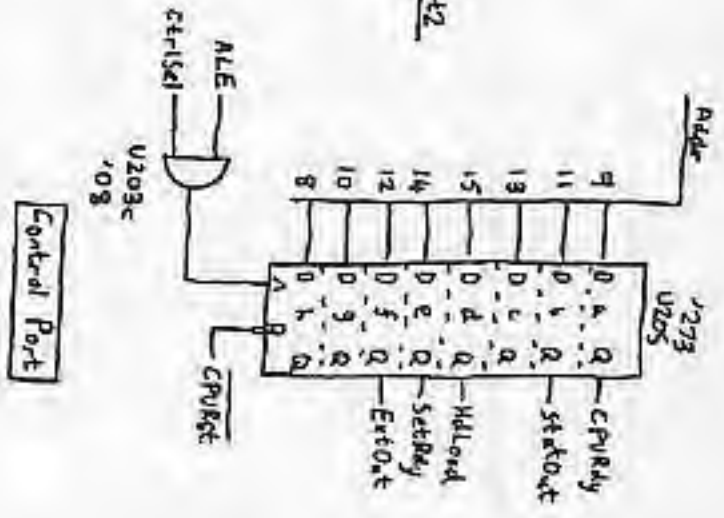
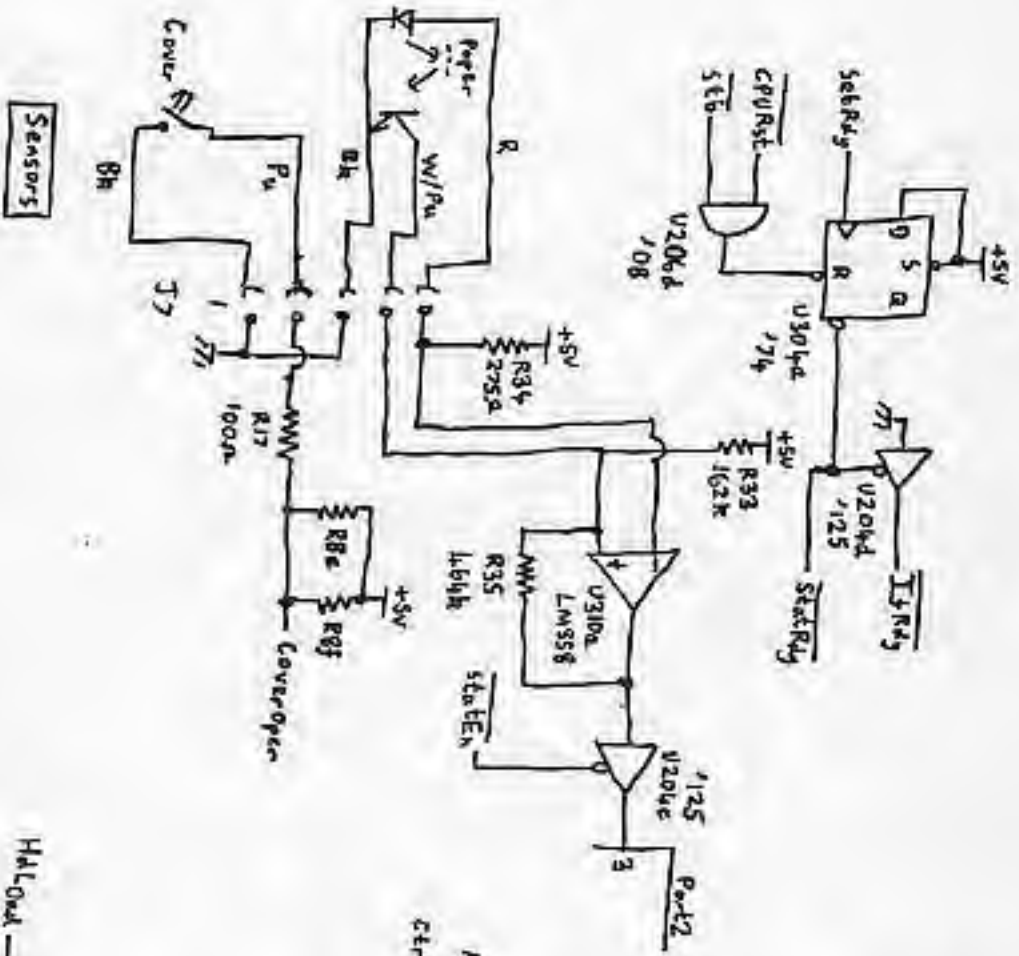
HP2671c Printer PCB Sheet 1 Q2670-60084

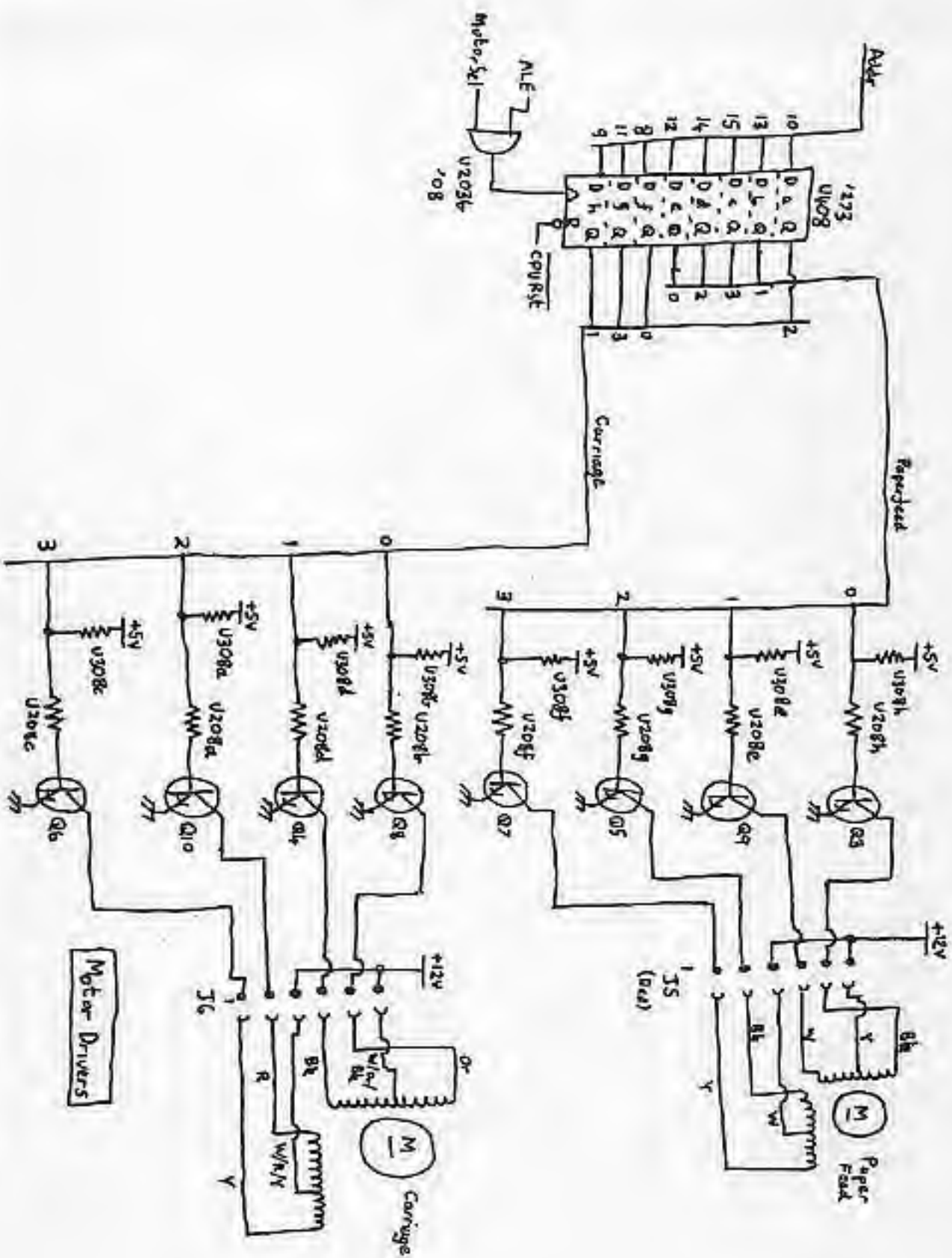




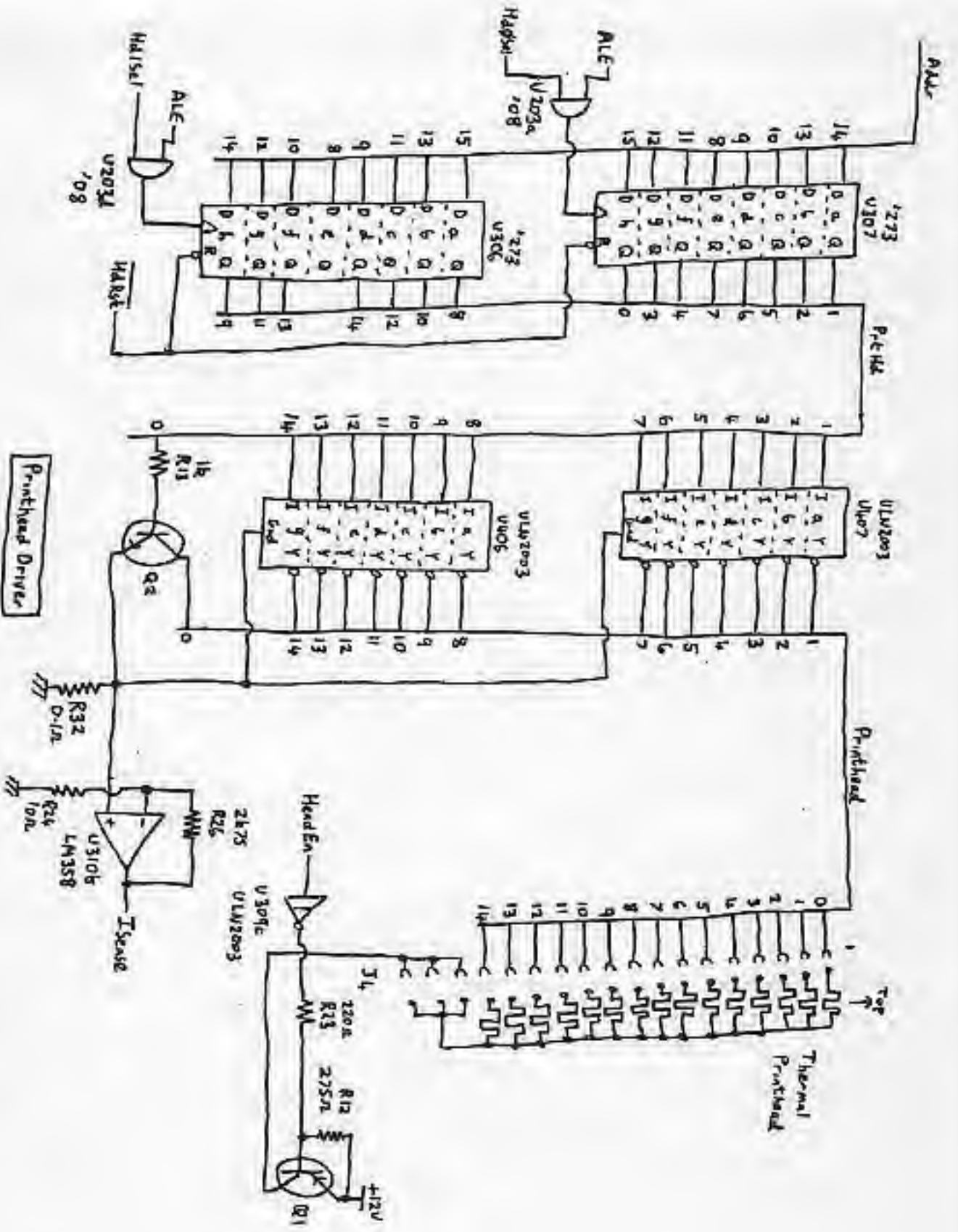
HP26716 Printer PCB sheet ⑤ 02670-60084

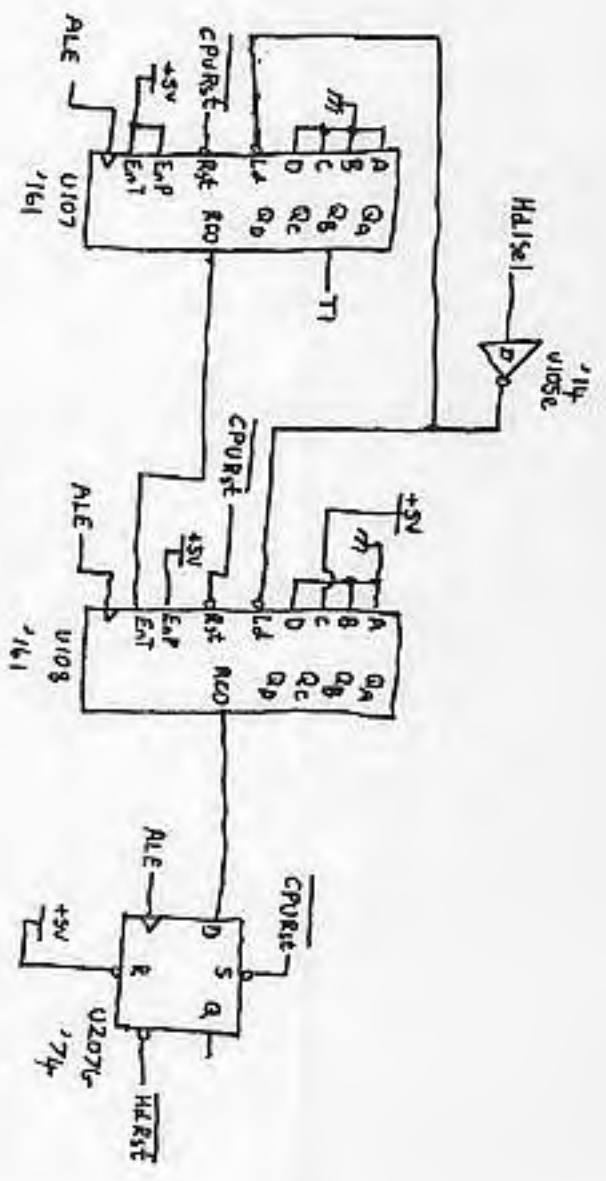




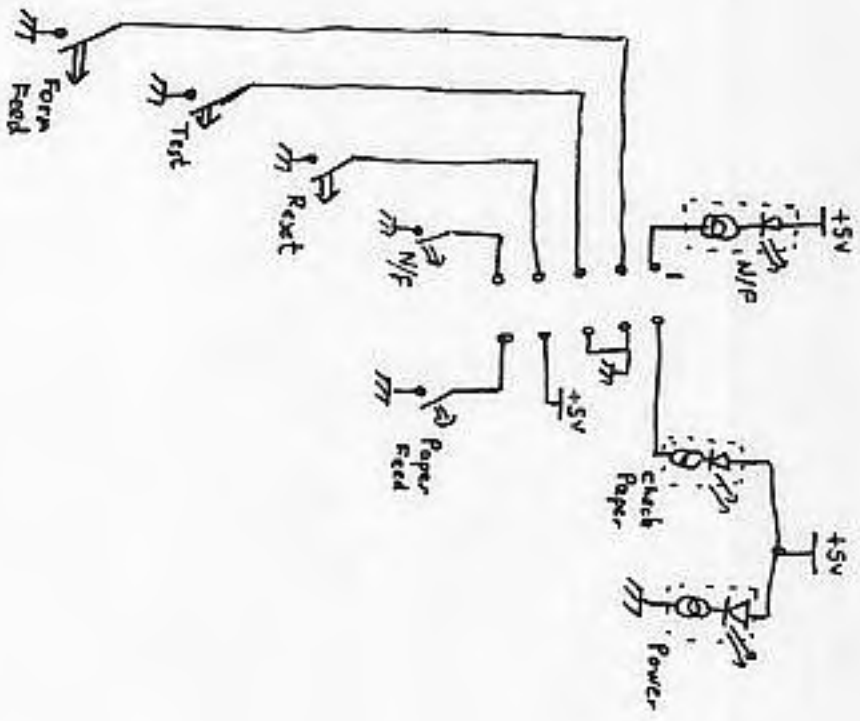




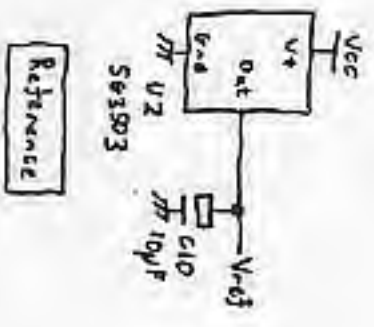
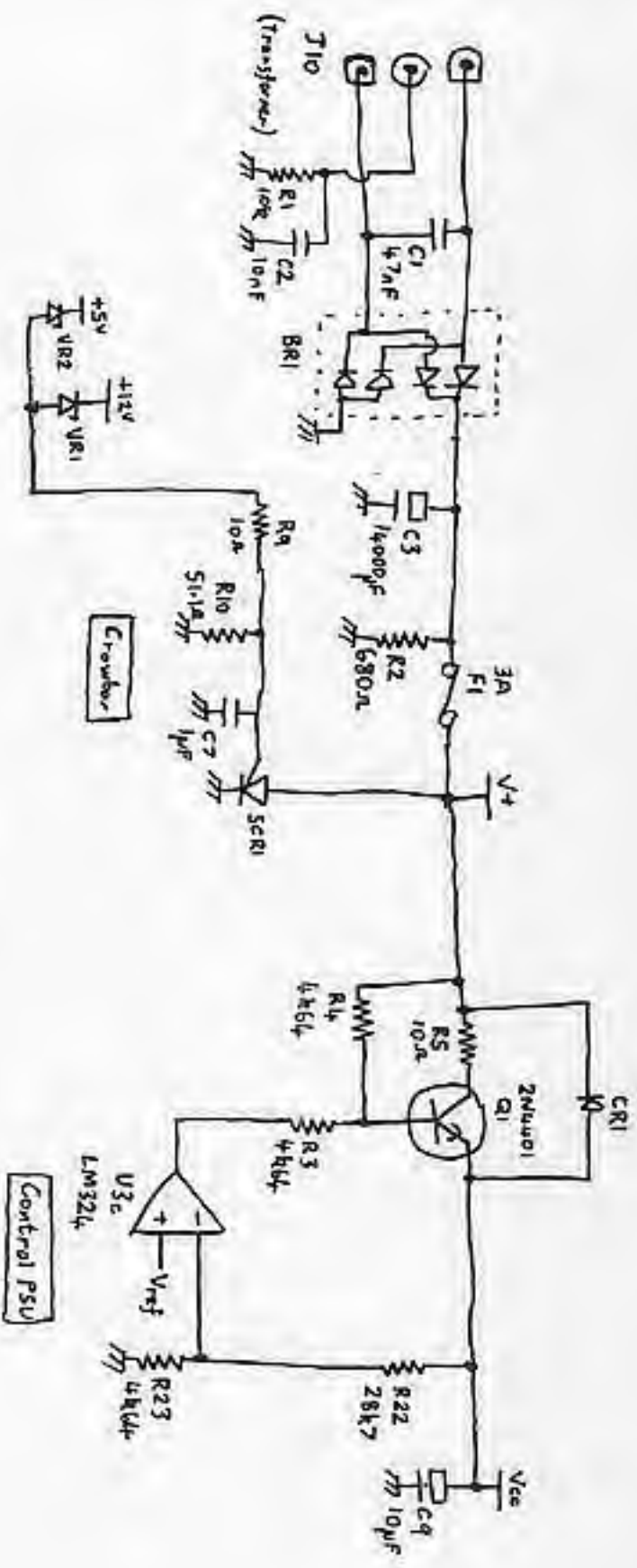




Printhead Timing



HP2671C Front Panel

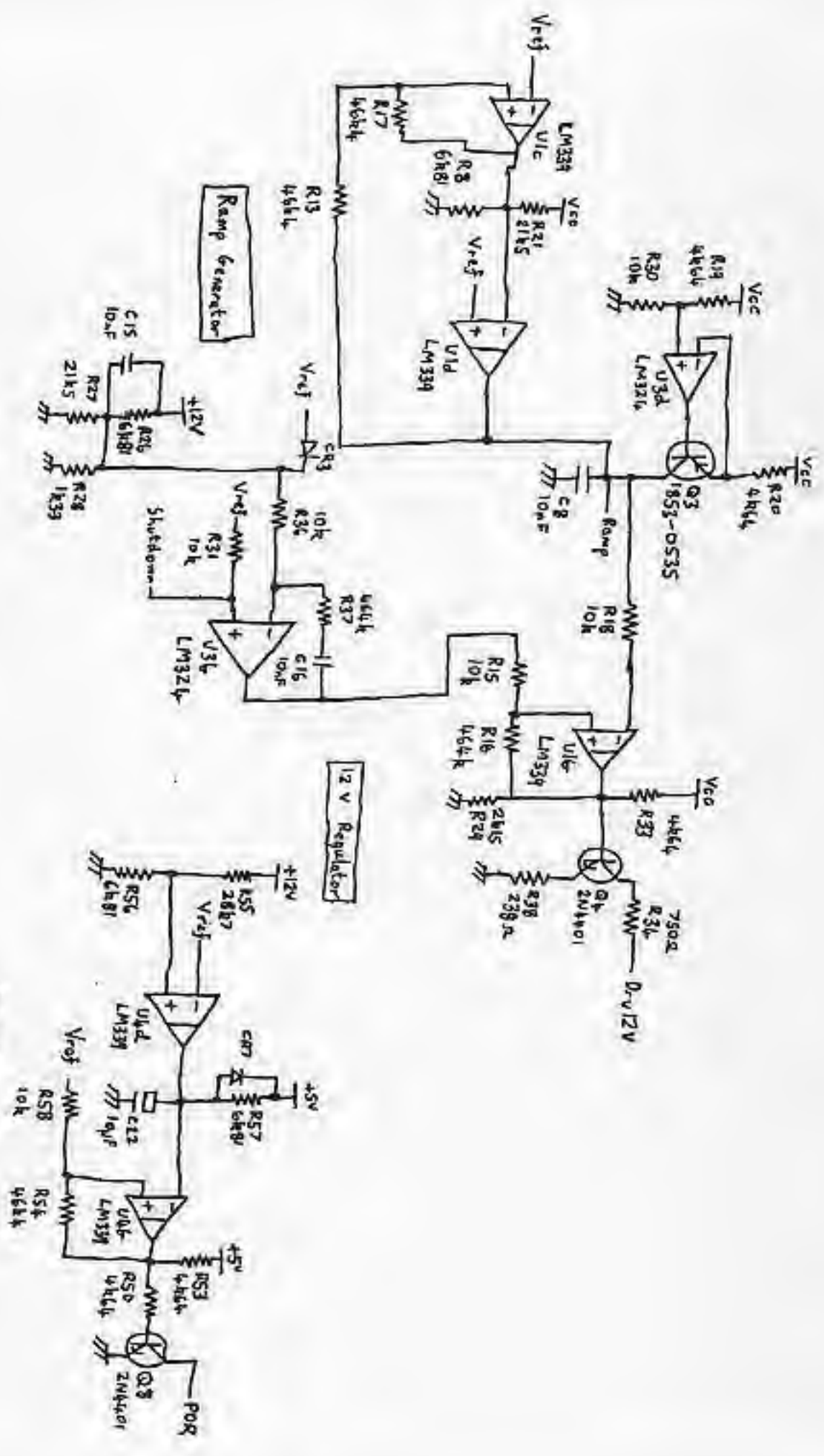


Control PSU

LM324

Crowbar

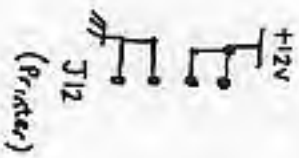
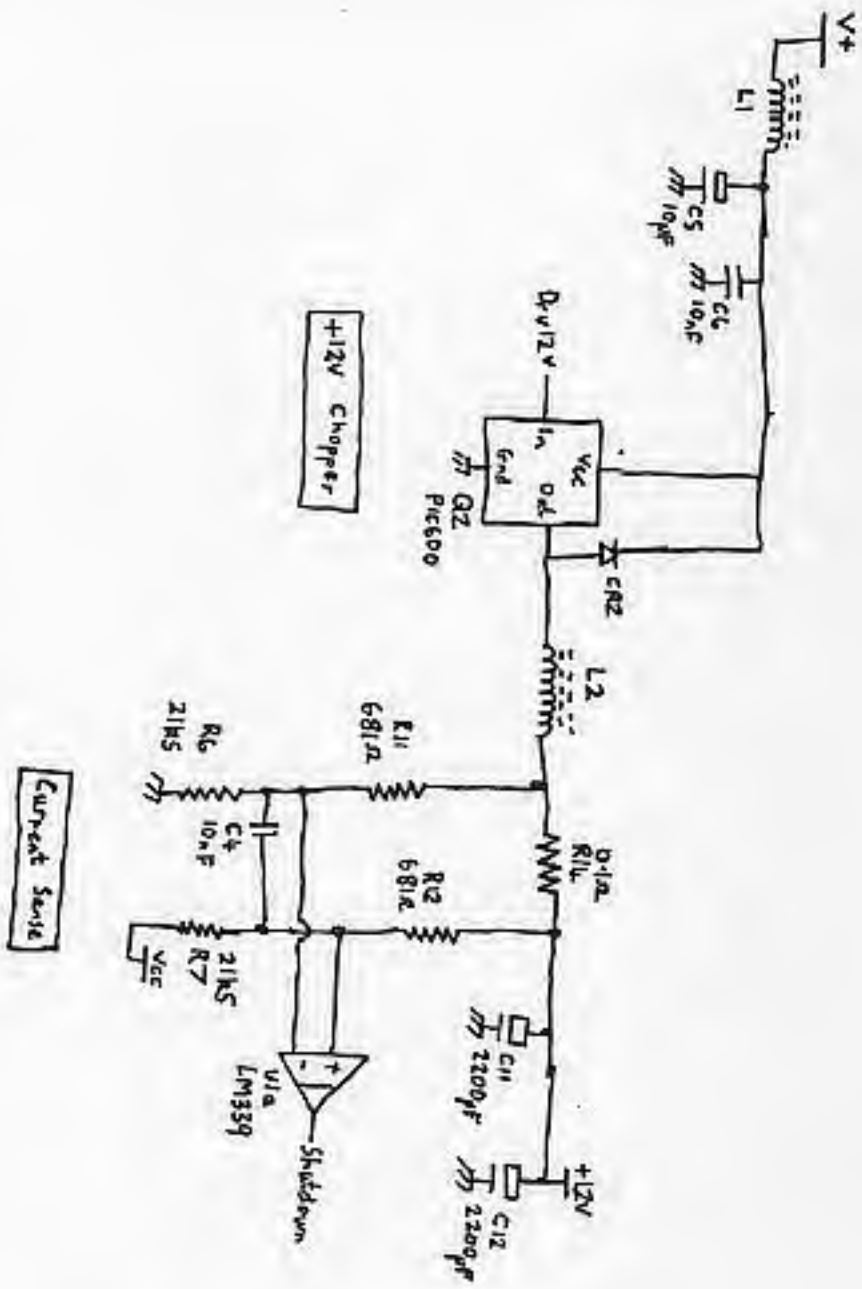
Reference



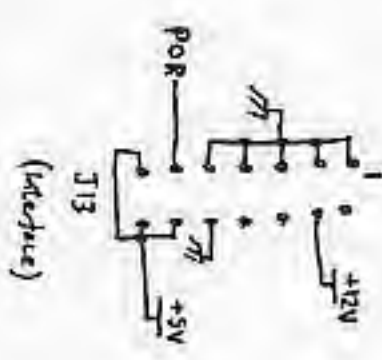
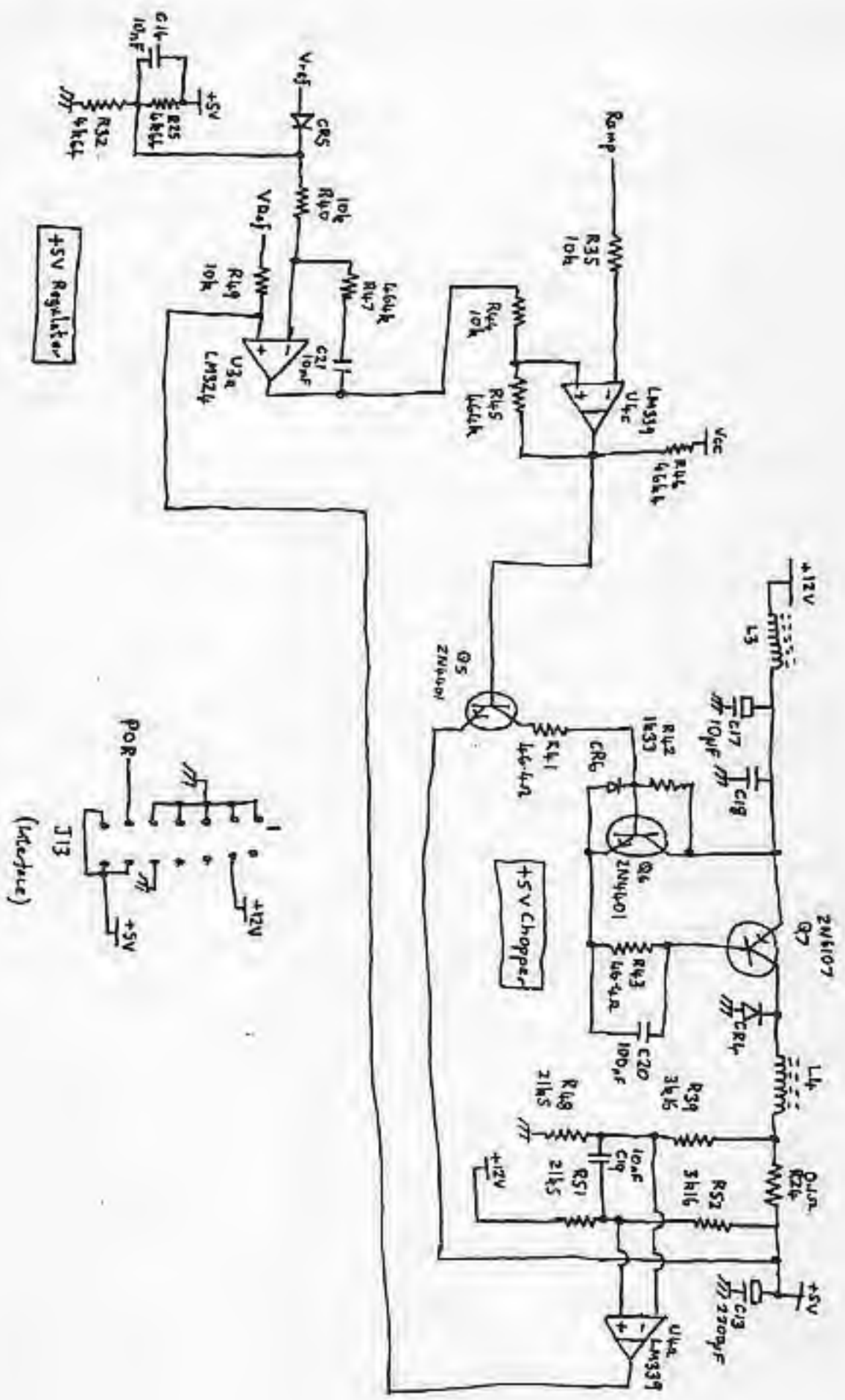
HPZ6716 Power Supply

Sheet 2

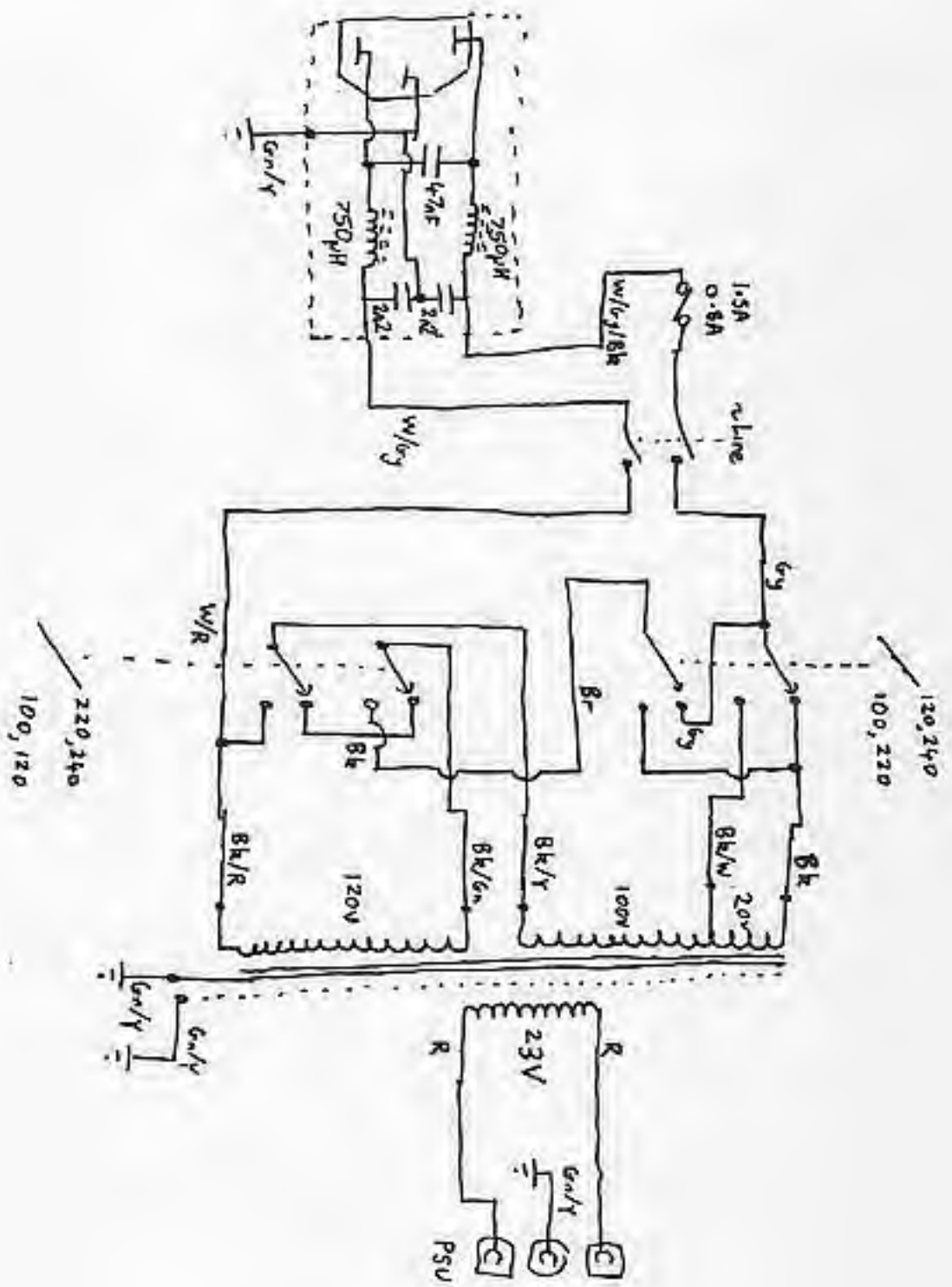
OZ670-60070







HP 26716 Power Supply Sheet 14



HP26716 Main Transformer