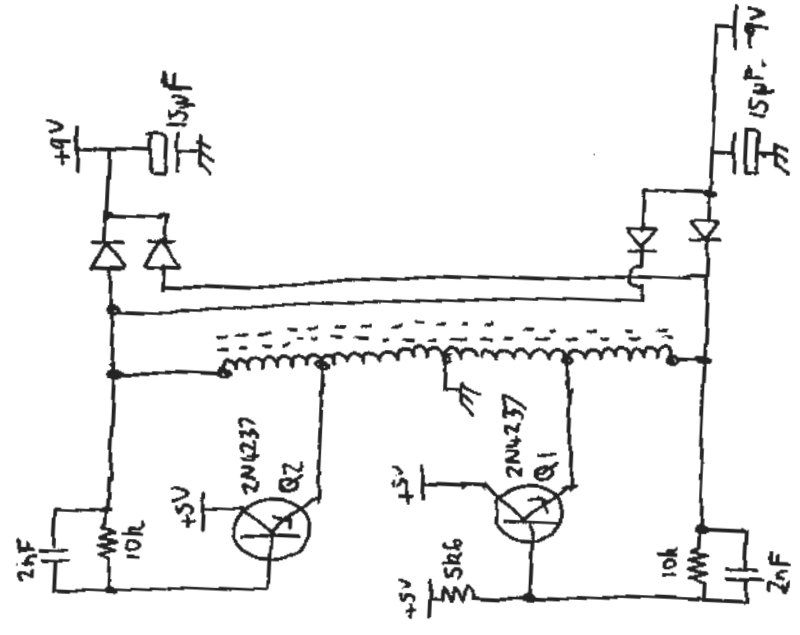
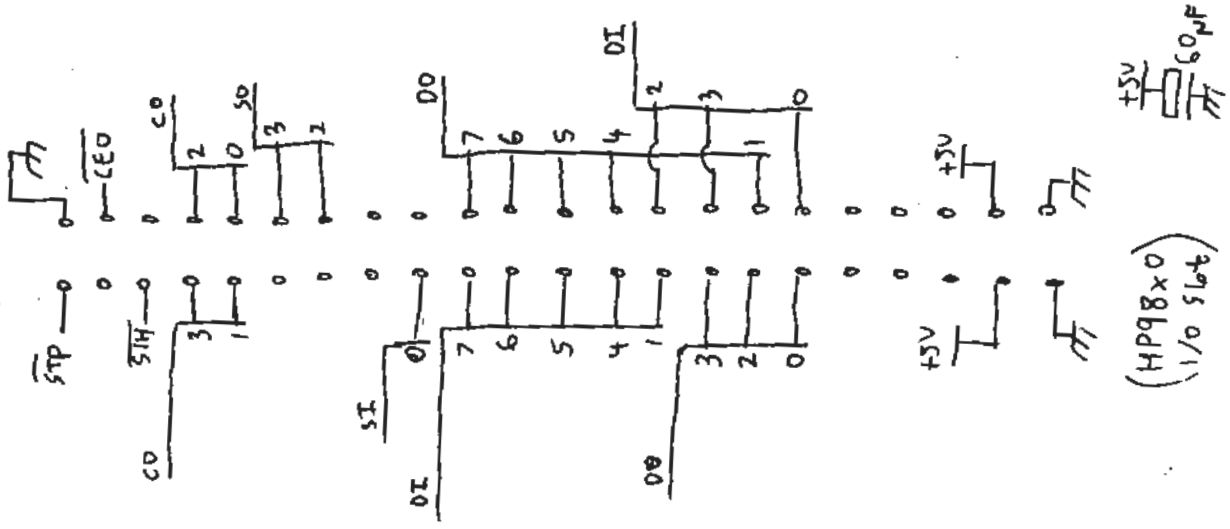
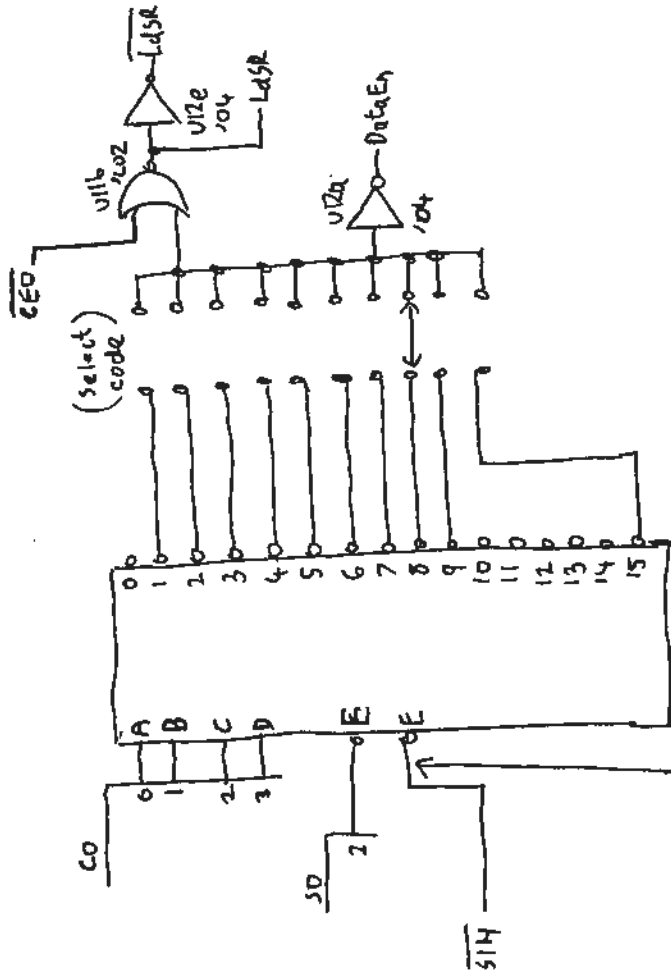


LHS  
Top

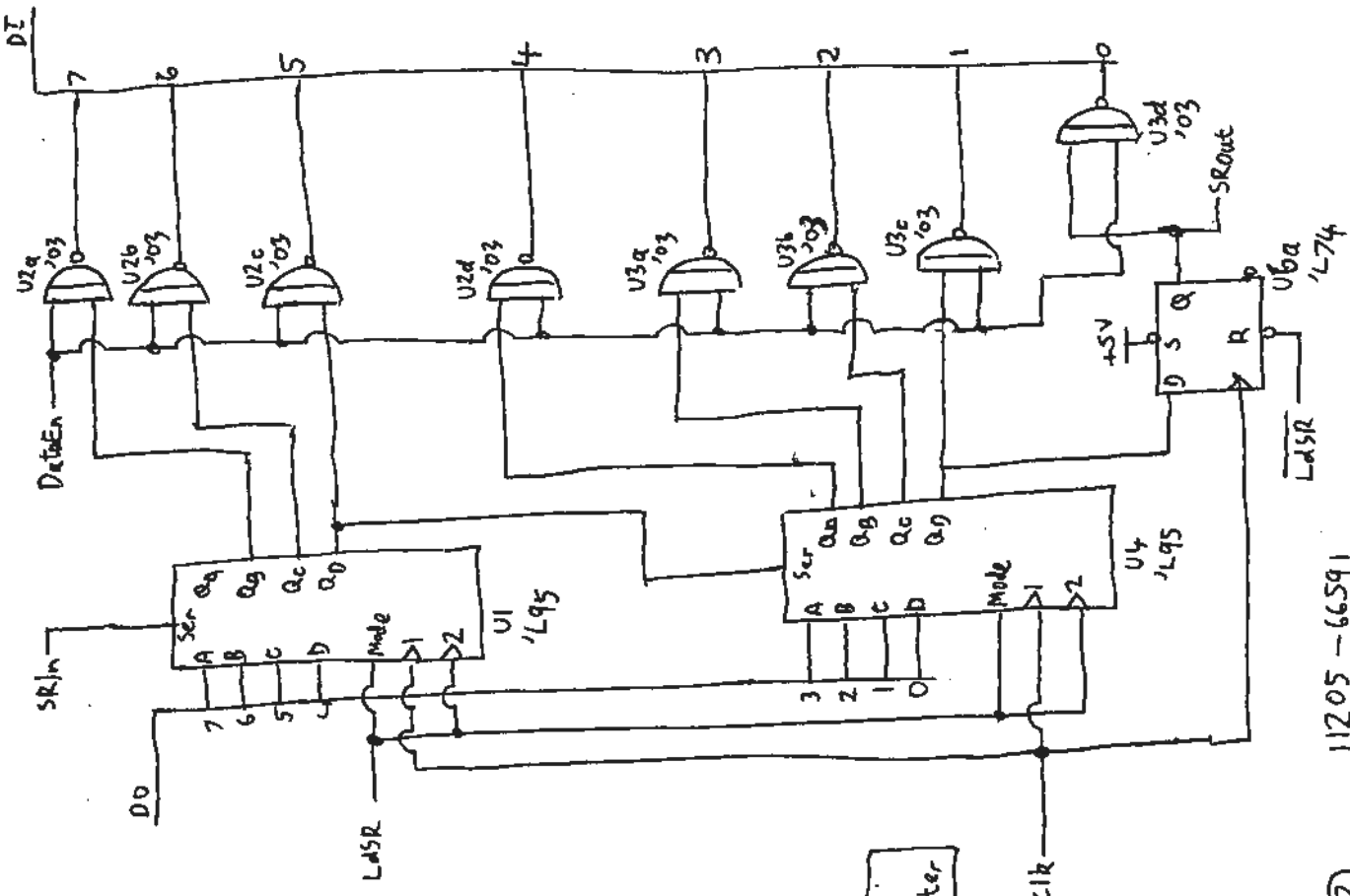


PSU



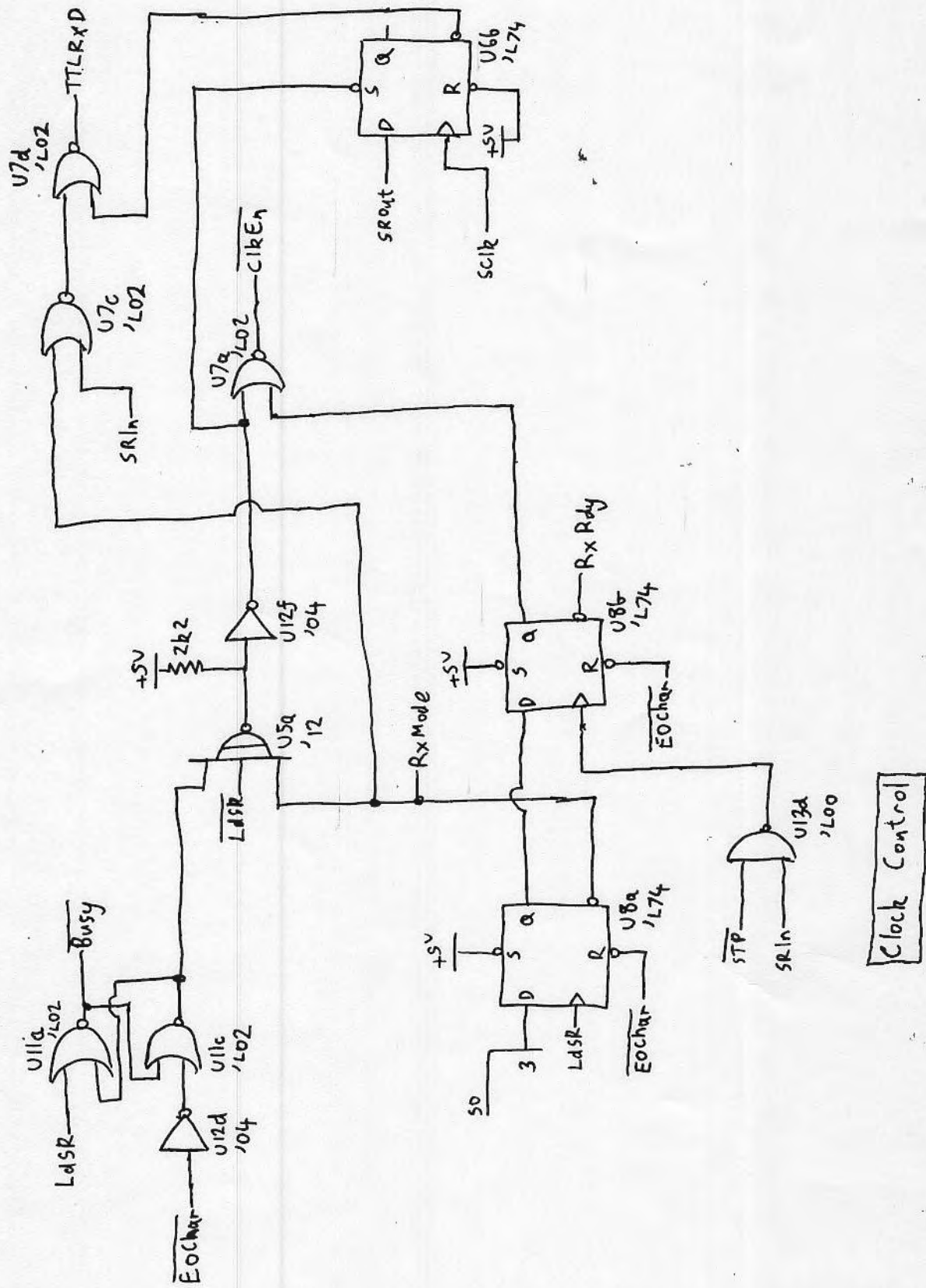
This pin on U10 originally grounded. Connected to 514 by ARD for compatibility with HP9830

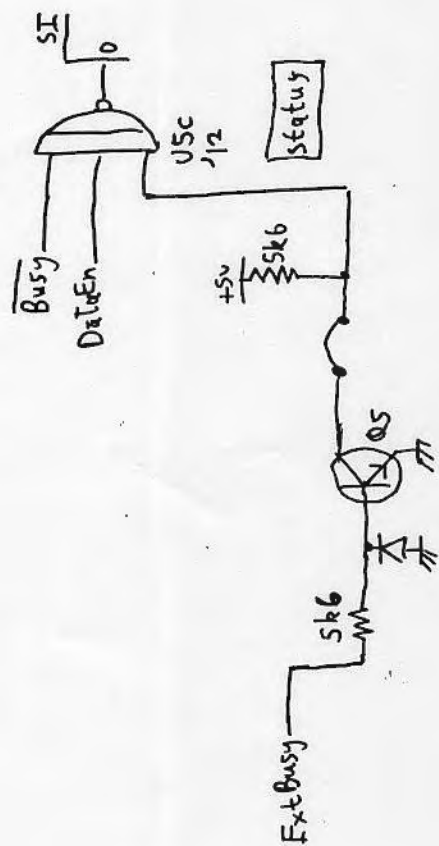
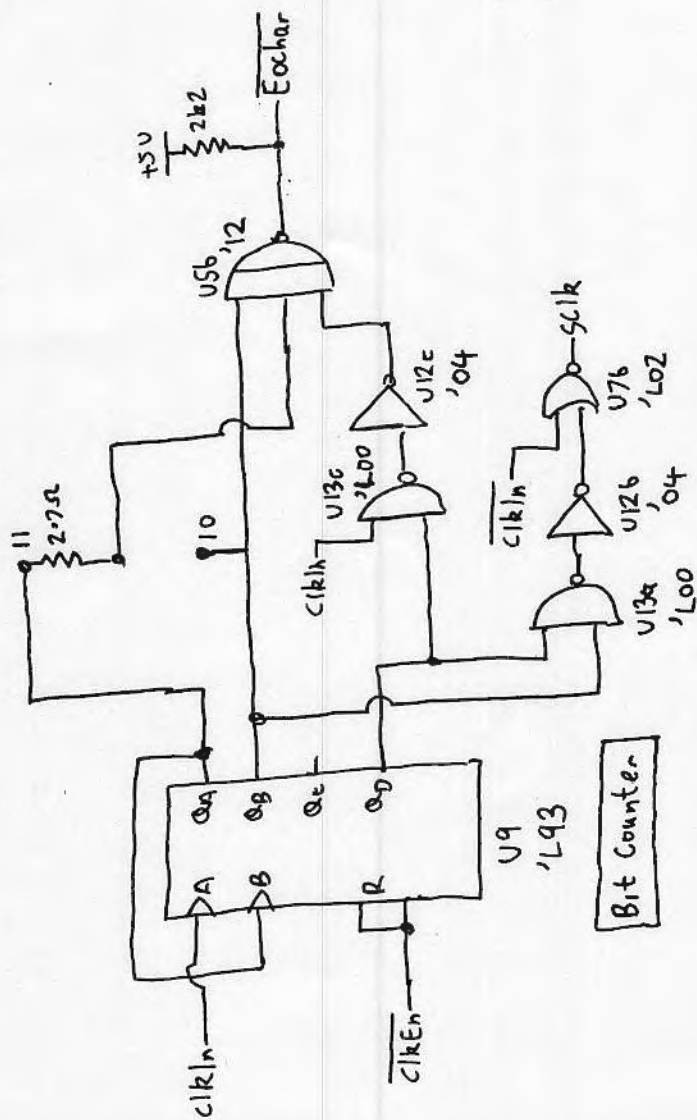
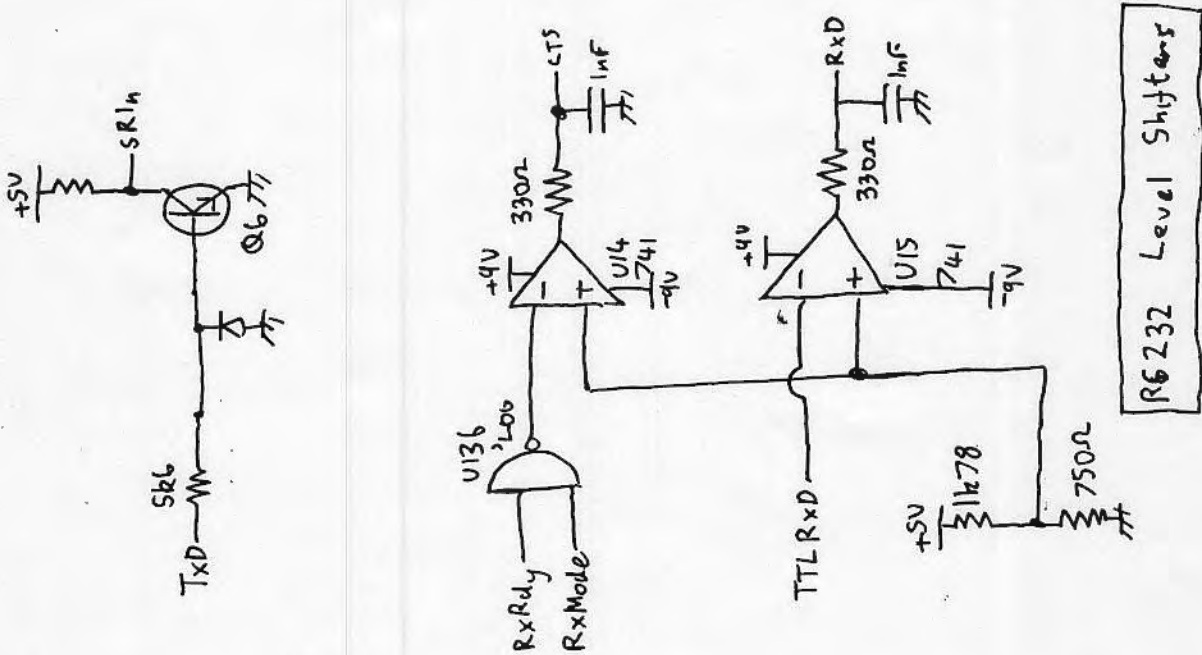
Card Select

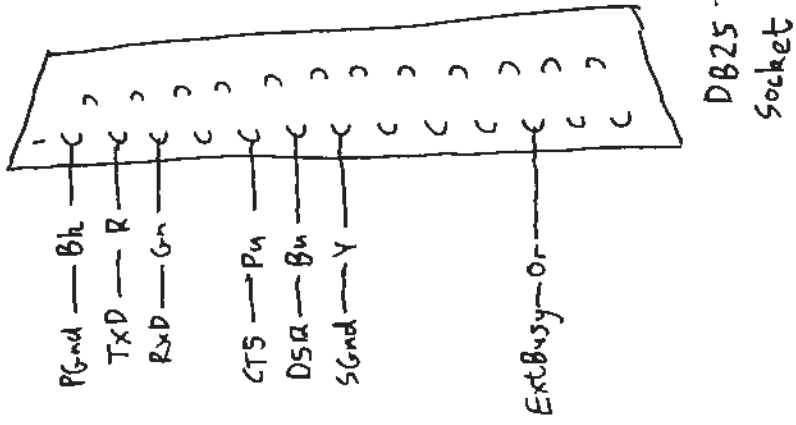
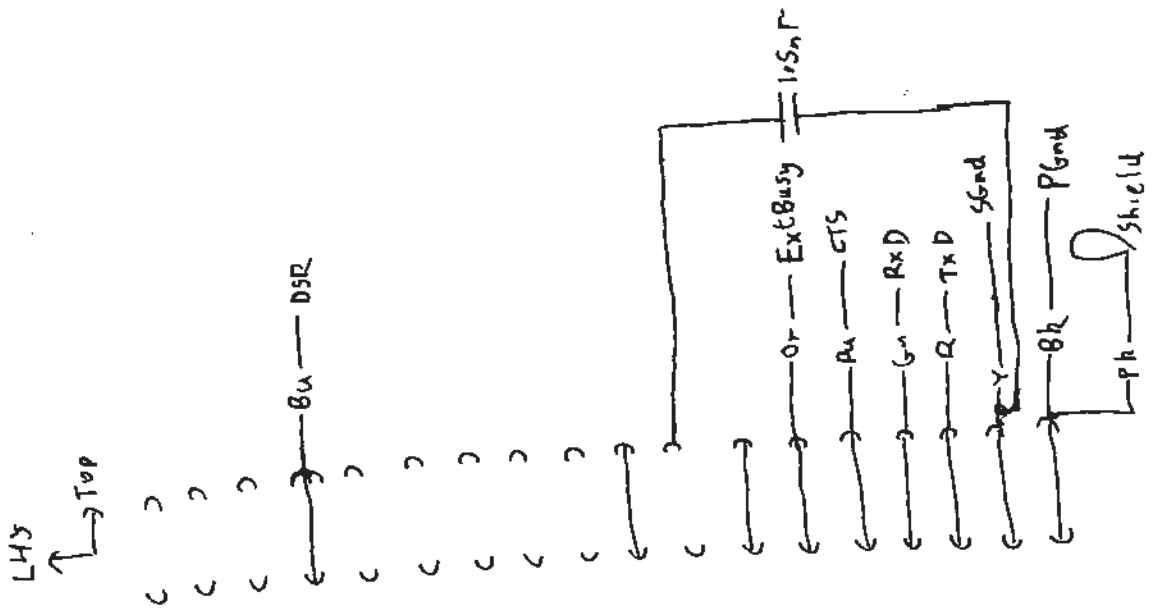


Shift Register









HP11205 RS232 Interface Cable