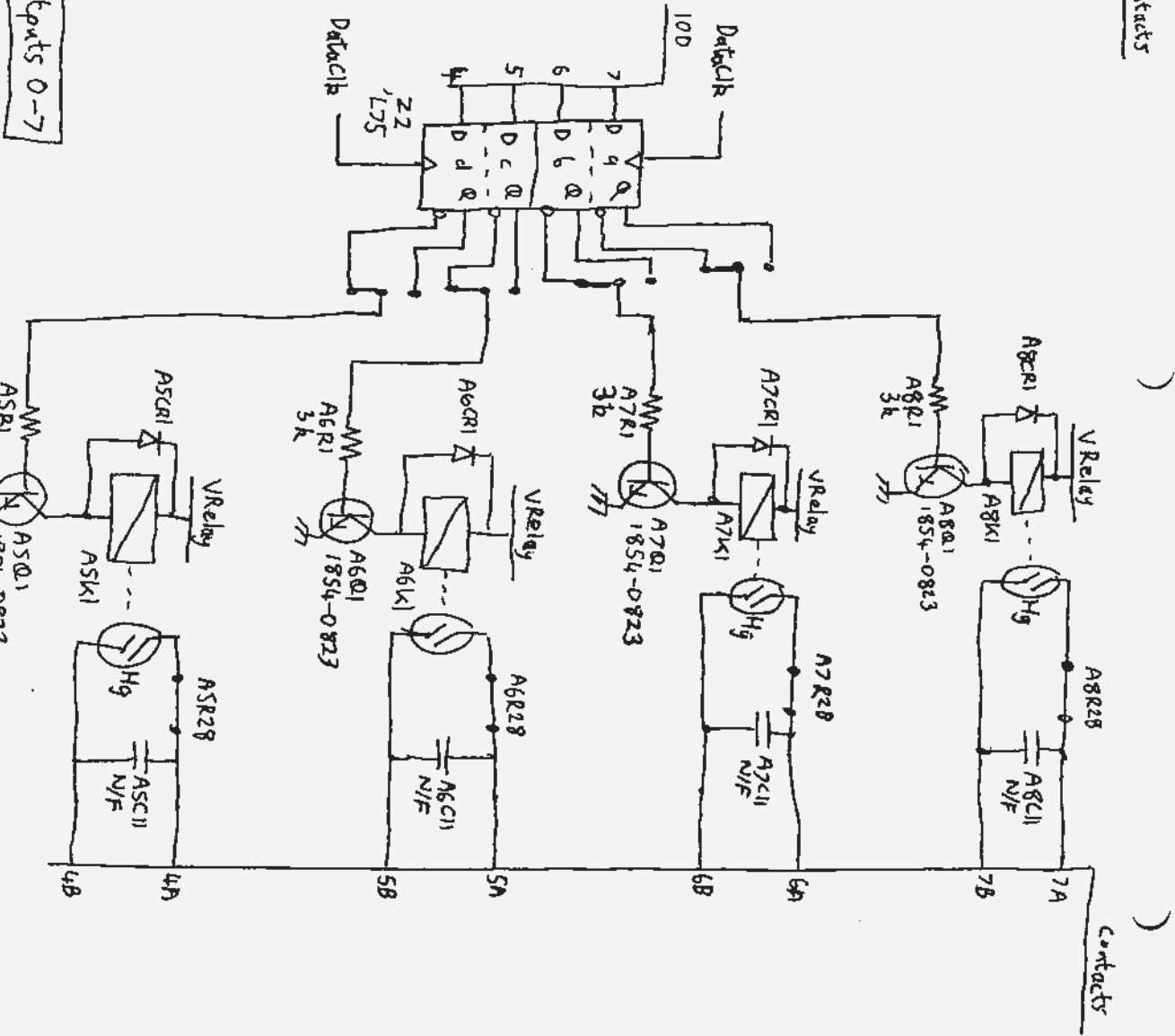
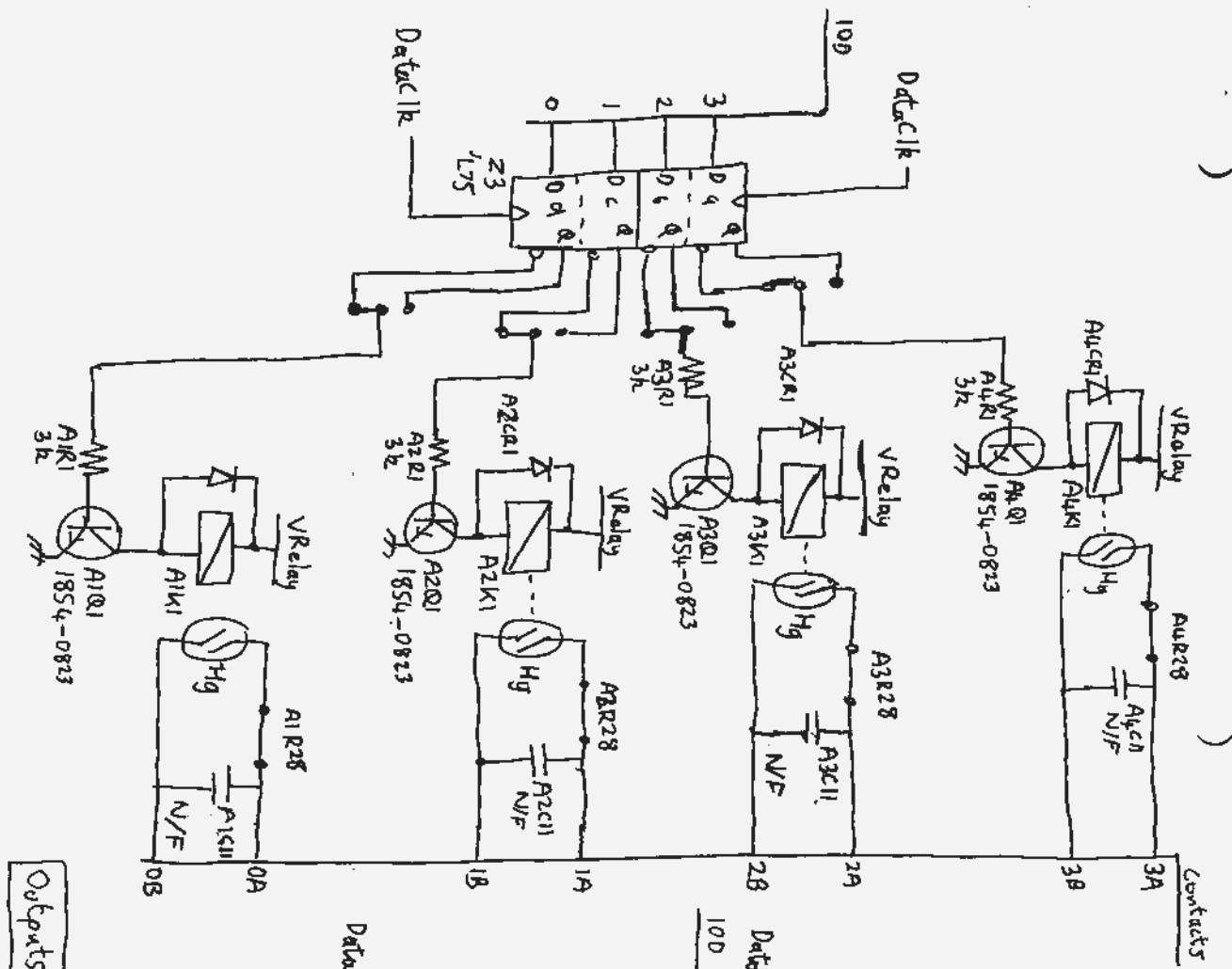
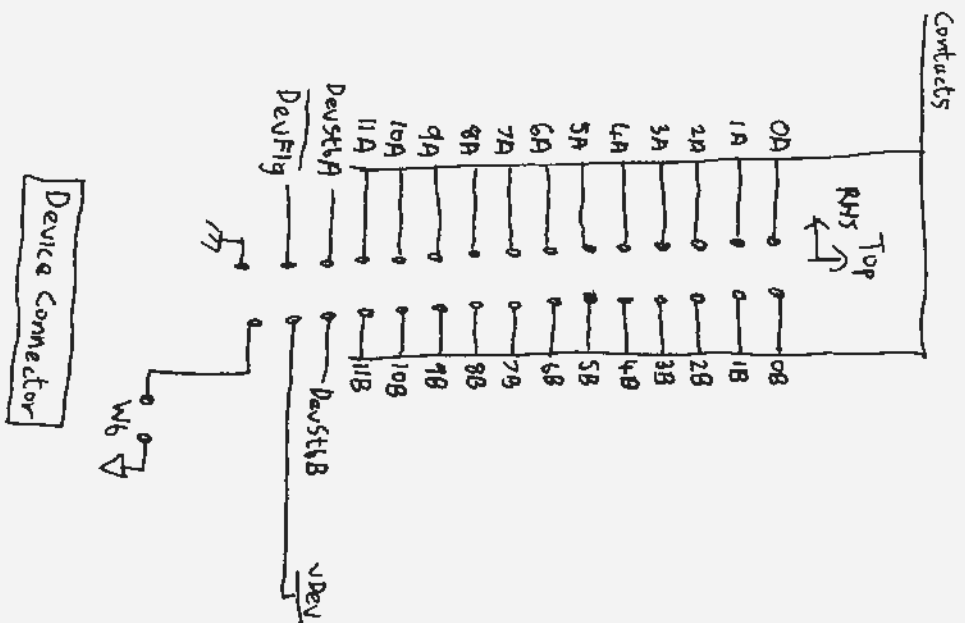
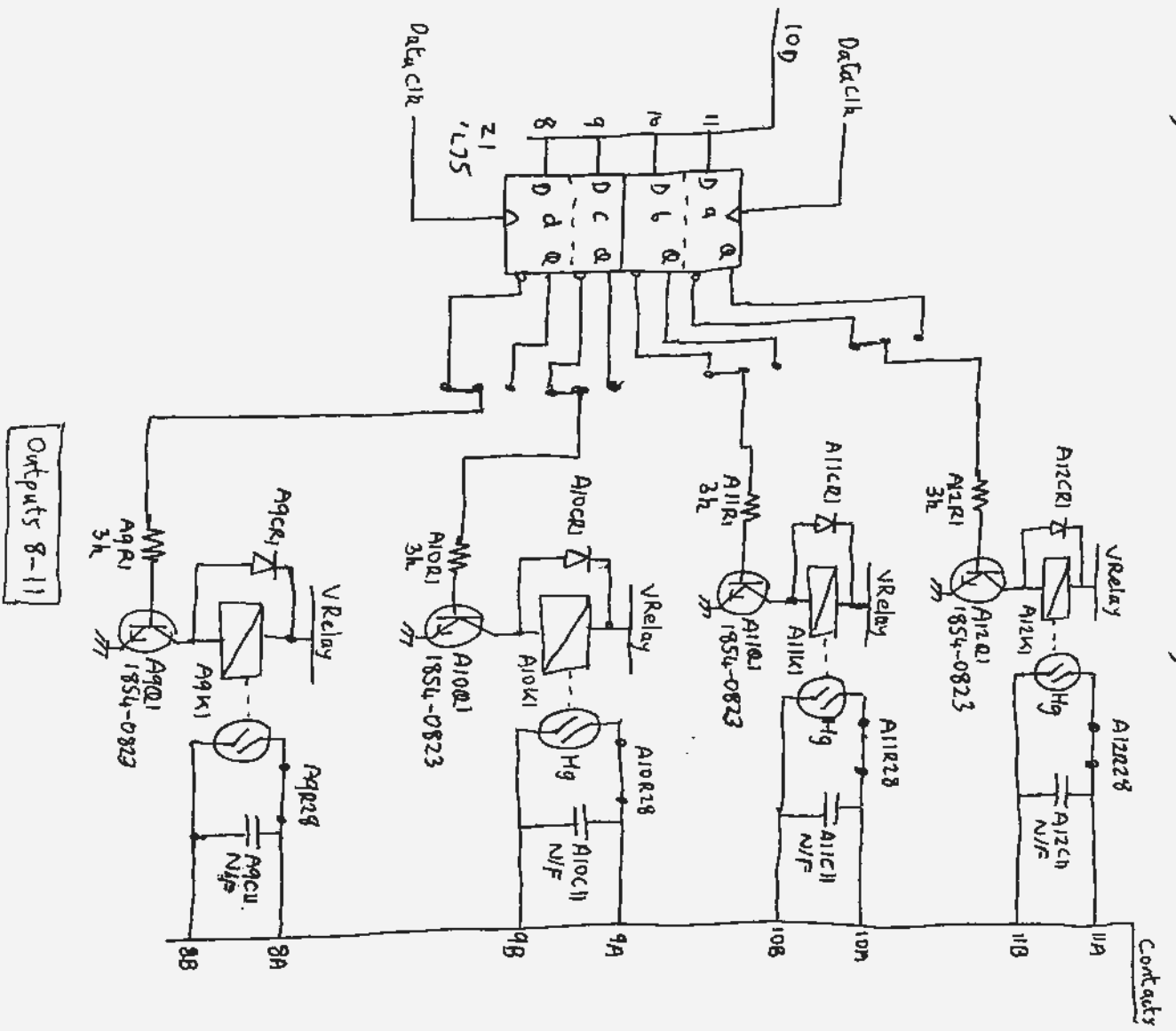


HP 69330A Relay Output PCB Sheet 2 69330-60021





Outputs 0-7



HP69330A Relay Output PCB Sheet 5

69330-60021