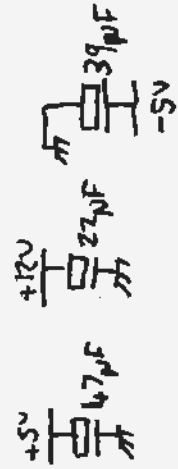
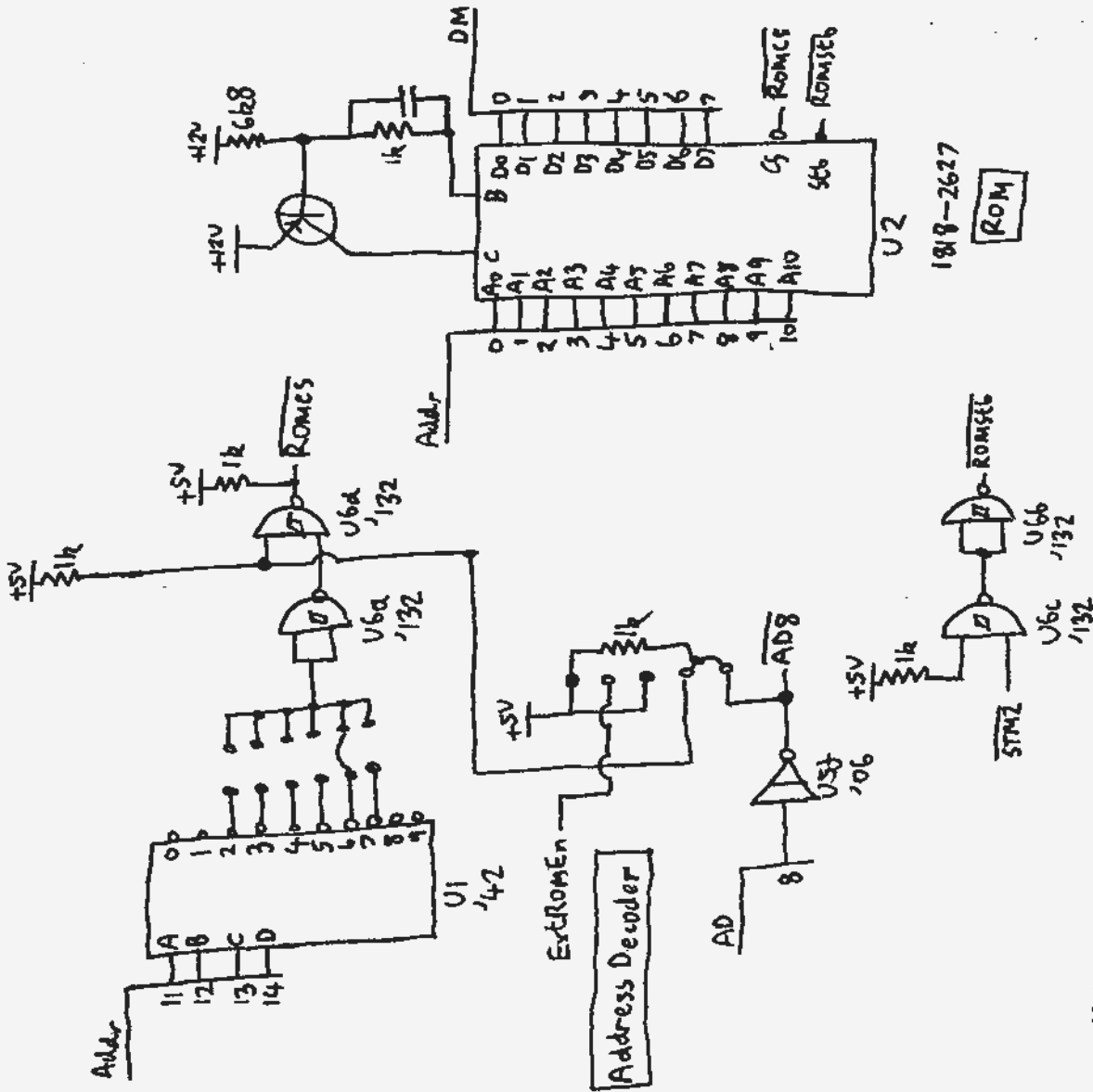
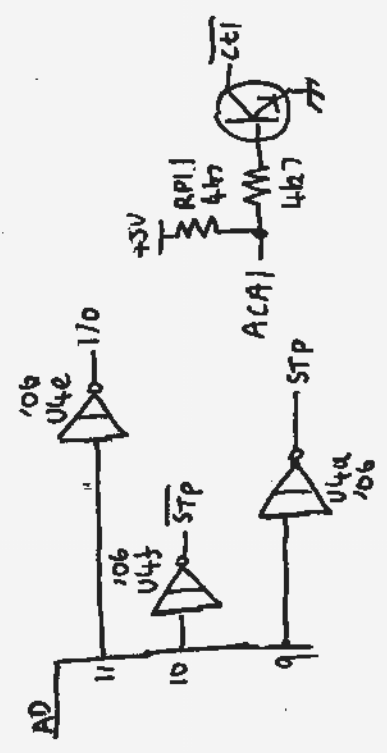
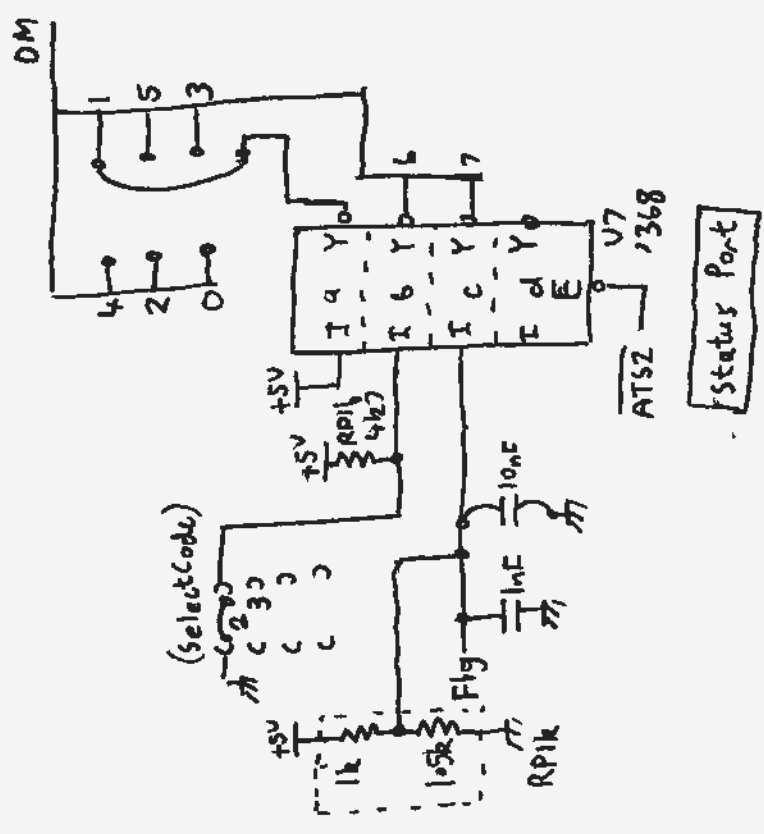
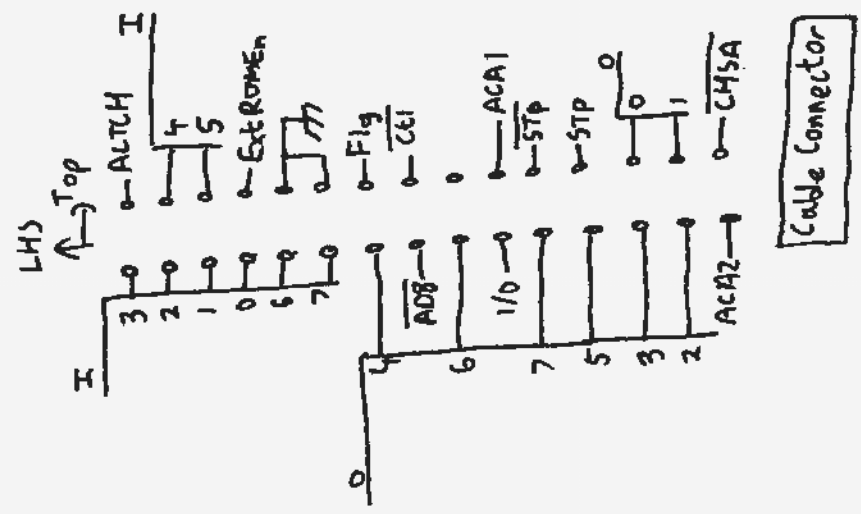
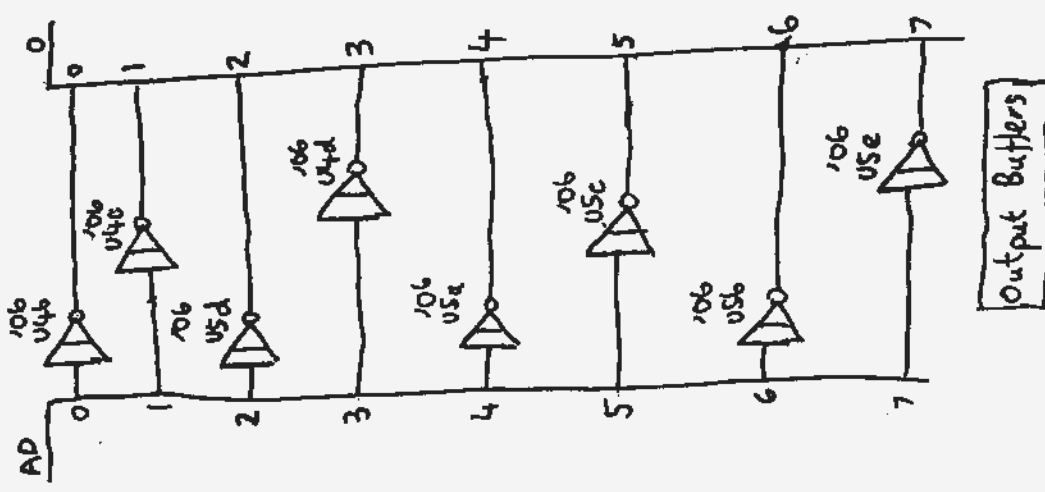
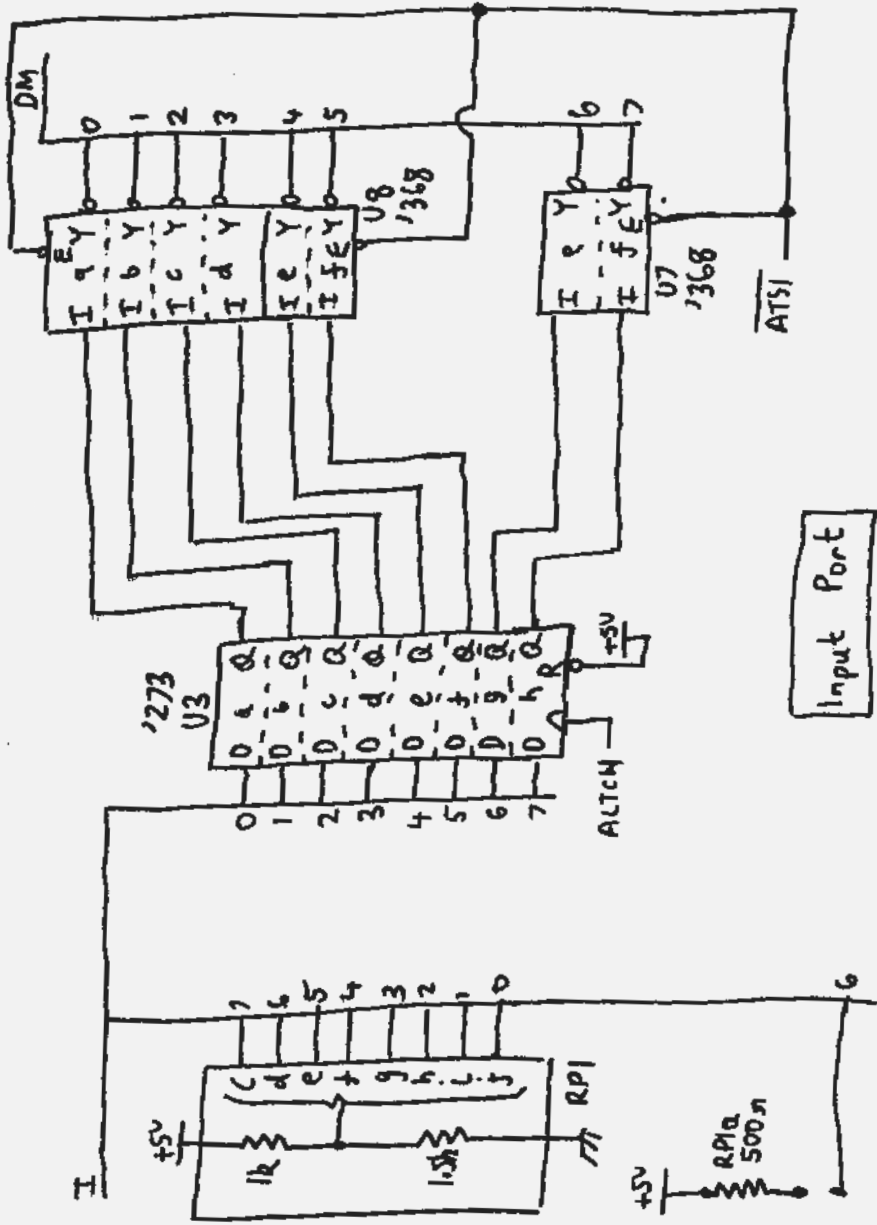


(To HP9815)
(1/0 slot)







I3 - Br - C 2 - w/Bk - ALTCR
 I2 - R - C 2 - w/Pu - I4
 I1 - O - C 2 - w/Gy - I5
 I0 - Y - C 2 - w/Bk/Br - EXTROMEN
 I6 - Gn - C 2 - Bk - Gnd
 I7 - Bu - C 2 - Shield - Gnd
 O4 - Pu - C 2 - w/Bk/R - Flg
 A08 - Gy - C 2 - w/Bk/Br - Ctl
 O6 - W - C)
 I/O - w/Bk - C 2 - w/Bk/Y - ACA1
 O7 - w/Bk - C 2 - w/Bk/Gn - Stp
 O5 - w/R - C 2 - w/Bk/Br - Stp
 O3 - w/O - C 2 - w/Bk/Pu - O0
 O2 - w/Y - C 2 - w/Bk/Gy - O1
 ACA2 - w/Gn - C 2 - w/Br/R - CHSA

(To 98134-66503)
PCB

I10 - Y - C 2 - Shield - Gnd
 I11 - O - C 2 - Bk - Gnd
 I13 - Br - C 2 - Bu - I7
 I14 - w/Pu - C 2 - w/Bk/Pu - O0
 I15 - w/O - C 2 - w/Bk/Gy - O1
 I12 - R - C 2 - w/Y - O2
 I13 - Br - C 2 - w/O - O3
 I14 - w/Pu - C 2 - Pu - O4
 I15 - w/Gy - C 2 - w/R - O5
 I16 - Gn - C 2 - W - O6
 Flg - w/Bk/R - C 2 - w/Bk/O - Ctl

D825-S
as supplied

I10 - Y - C 2 - w/Bk/Or - Ctl
 I11 - O - C 2 - w/Bk/R - Flg
 I13 - Br - C 2 - w/Bk - I/O
 I14 - w/Pu - C 2 - w/Bk/Gn - Stp
 I15 - w/O - C 2 - w/Bk/Bu - Stp
 I16 - Gn - C 2 - w/Bk/Y - ACA1
 I17 - Bu - C 2 - w/Ga - ACA2
 O0 - w/Bk/Pu - C 2 - w/Bu - ALTCH
 O1 - w/Bk/Gy - C 2 - w/Br/R - CHSA
 O2 - w/Y - C 2 - Gy - ADB
 O3 - w/O - C 2 - w/Bk/Br - EXTROMEN
 O4 - Pu - C 2 - Bk - Gnd
 O5 - w/R - C 2 - Shield - Gnd
 O6 - w - C)
 O7 - w/Br - C)

Proposed
DC37-S
Wiring