

LMS
 ↑
 Top

MPS9401

SWI(SRQ)	→	○	SWO(SRQ)
NDACIn	→	○	NRFDIIn
DispData(7)	→	○	SWO(EOT)
DispAddr(1)	→	○	SWR(EOT)
DispData(2)	→	○	DirSWIFC
DispData(5)	→	○	DirSWSRQ
DispData(8)	→	○	DispData(1)
DispAddr(2)	→	○	DispData(4)
DispAddr(8)	→	○	SWO(ATN)
DispData(3)	→	○	SWI(ATN)
BUSLED	→	○	DispAddr(4)
MEMLED	→	○	DirSWREN
DispData(6)	→	○	DirSWREN
DispAddr(20)	→	○	SWO(8)
DispAddr(10)	→	○	SWI(8)
DLATN	→	○	RAMWr
DAVIN	→	○	N/C
MClk	→	○	SWO(7)
RAMEn	→	○	SWI(7)
DAVout	→	○	N/C
NDACout	→	○	CntClk
NRFDOut	→	○	N/C
		○	N/C
Addr31	→	○	SWO(6)
Addr31	→	○	SWI(6)
Addr30	→	○	N/C
ClrDispAddr	→	○	SWO(5)
HPIBOutSel	→	○	SWI(5)
CntDir	→	○	HPIBtoRAM
SRtoRAM	→	○	Addr31En
DispSel	→	○	SWO(4)
TalkEn	→	○	SWI(4)
SRQLED	→	○	EOTLED
+12V	→	○	CompEq
-12V	→	○	N/C
SWI(3)	→	○	SWO(3)
ATNLED	→	○	IFCLED
DAVLED	→	○	RENLED
SWD(2)	→	○	SWI(2)
NRFDOLED	→	○	NDACLED
SWO(1)	→	○	SWI(1)
+5V	→	○	+5V
Gnd	→	○	Gnd

Data PCB

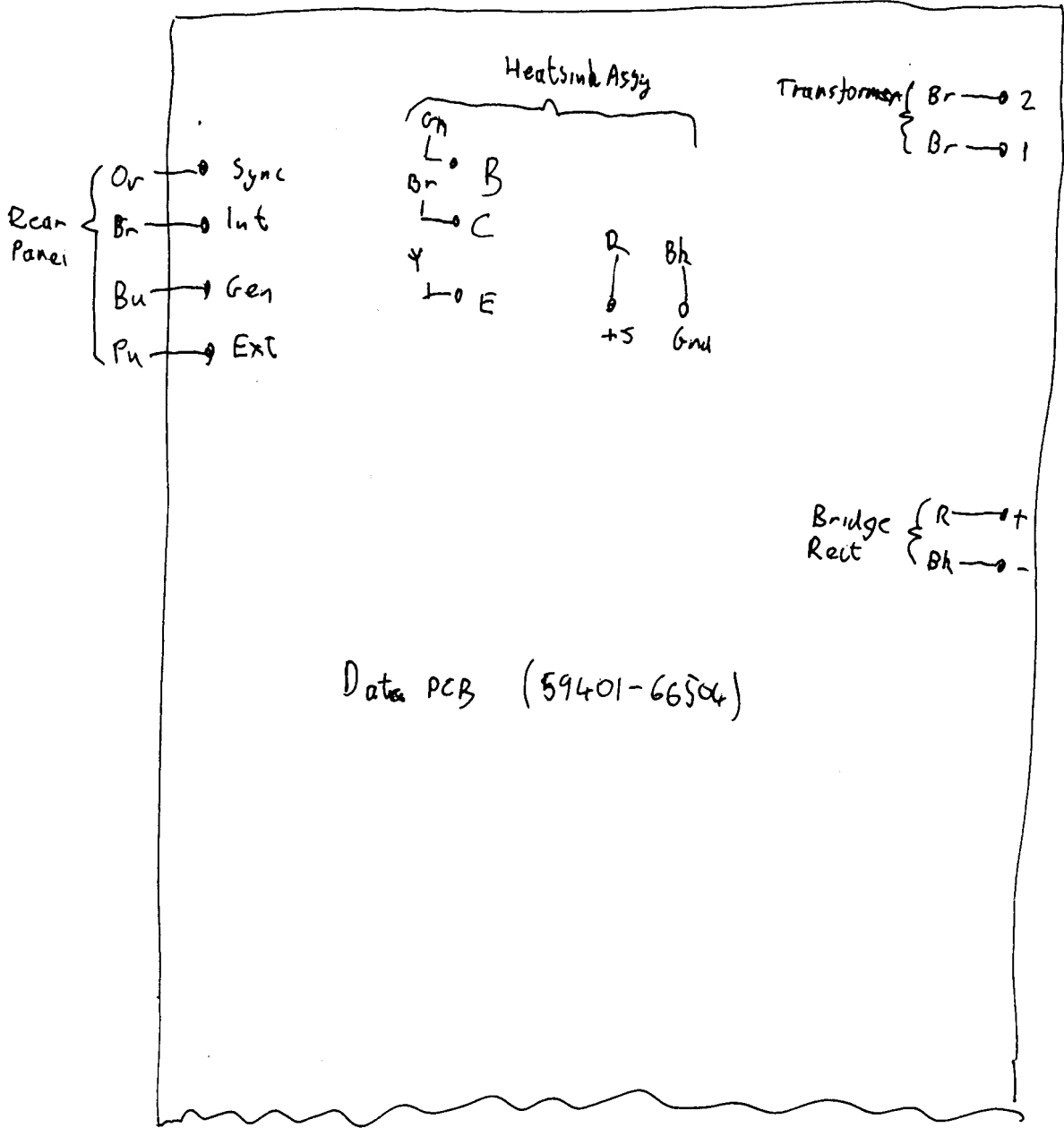
59401-66504

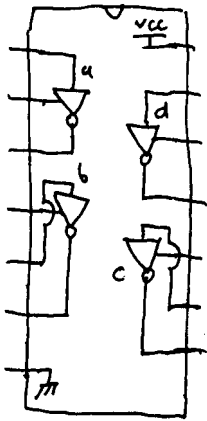
N/C	○	N/C	
NRFDIIn	→	○	NDACIn
N/C	○	○	DispData(7)
ColSel(4)	→	○	DispAddr(1)
N/C	○	○	DispData(2)
N/C	○	○	DispData(5)
DispData(1)	→	○	DispData(8)
DispData(4)	→	○	DispAddr(2)
N/C	○	○	DispAddr(8)
N/C	○	○	DispData(3)
N/C	○	○	DispAddr(4)
ColSel(0)	→	○	DispData(6)
Row(6)	→	○	DispAddr(20)
Row(5)	→	○	DispAddr(10)
Row(4)	→	○	DLATN
MemRev	→	○	DAVIN
MemFwd	→	○	MClk
Row(2)	→	○	RAMWr
Row(3)	→	○	RAMEn
ColSel(1)	→	○	DAVout
ColSel(2)	→	○	NDACout
MemClr	→	○	NRFDOut
MemOff	→	○	CntClk
ColSel(3)	→	○	Addr31
ColSel(4)	→	○	Addr31
Row(0)	→	○	Addr30
Row(1)	→	○	ClrDispAddr
SwComp	→	○	HPIBOutSel
SuComp	→	○	CntDir
HPIBtoRAM	→	○	SRtoRAM
Addr31En	→	○	DispSel
SwTalk	→	○	TalkEn
SwListen	→	○	+12V
CompEq	→	○	-12V
N/C	○	○	N/C
N/C	○	○	N/C
N/C	○	○	N/C
SwHalt	→	○	N/C
SwFast	→	○	N/C
SwExec	→	○	N/C
SwExec	→	○	N/C
+5V	→	○	+5V
Gnd	→	○	Gnd

Control PCB

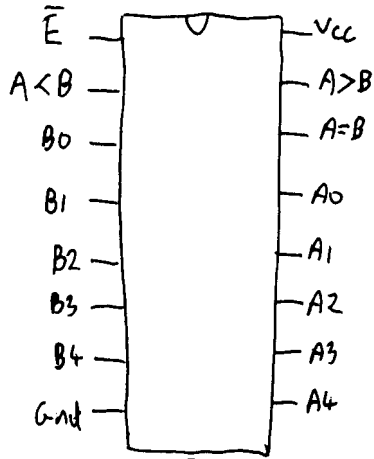
5940-66505

HP59401

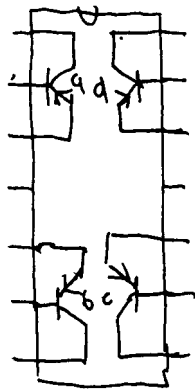




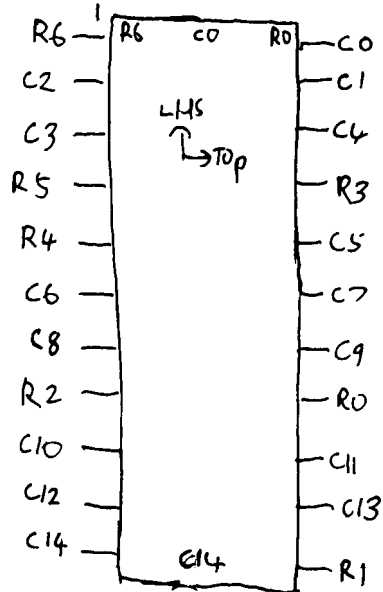
8TO9
Quad Bus Driver



9324
93L24
5-bit Comparator

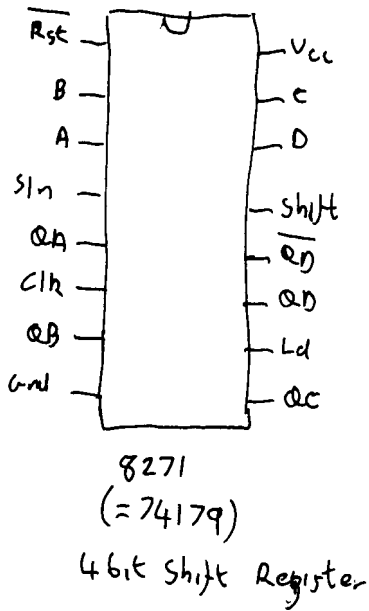
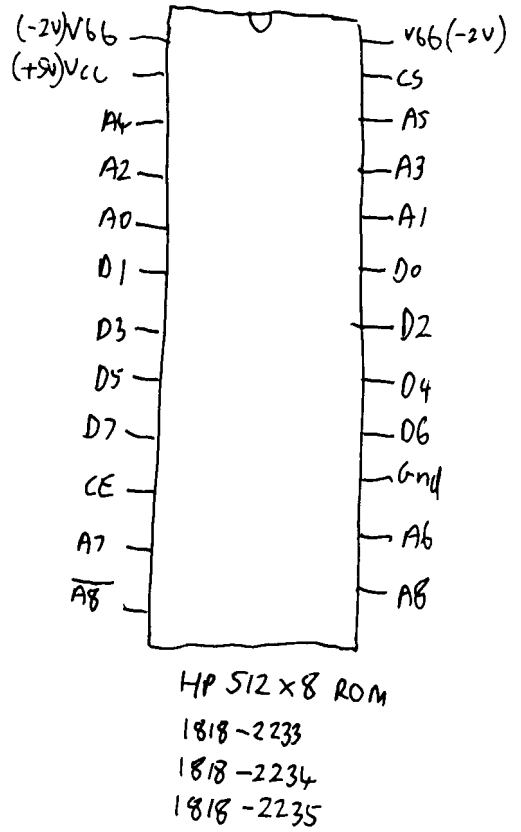
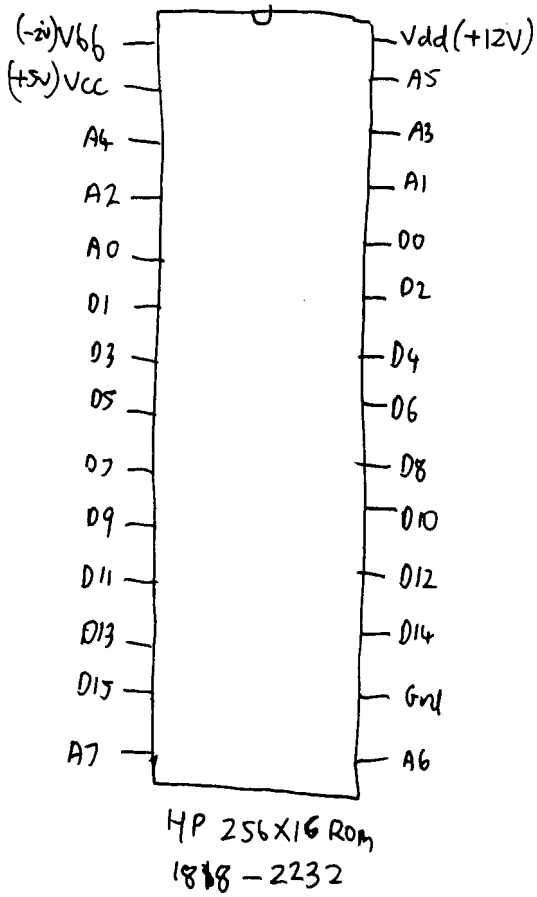


1958-0014
PNP Transistor
Array

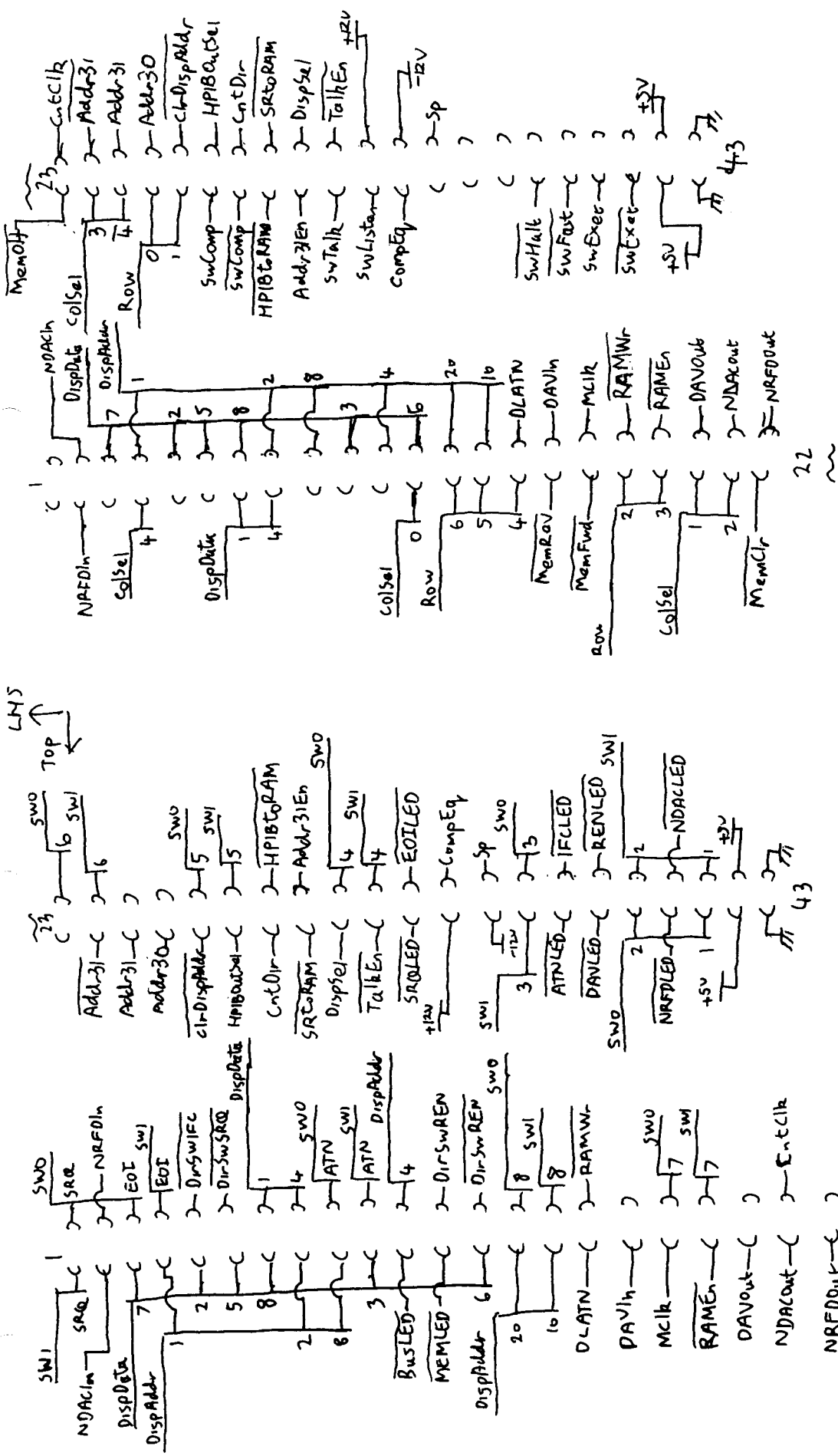


Display
1490-0474
Column: Cathode
Row: Anode

HP59401

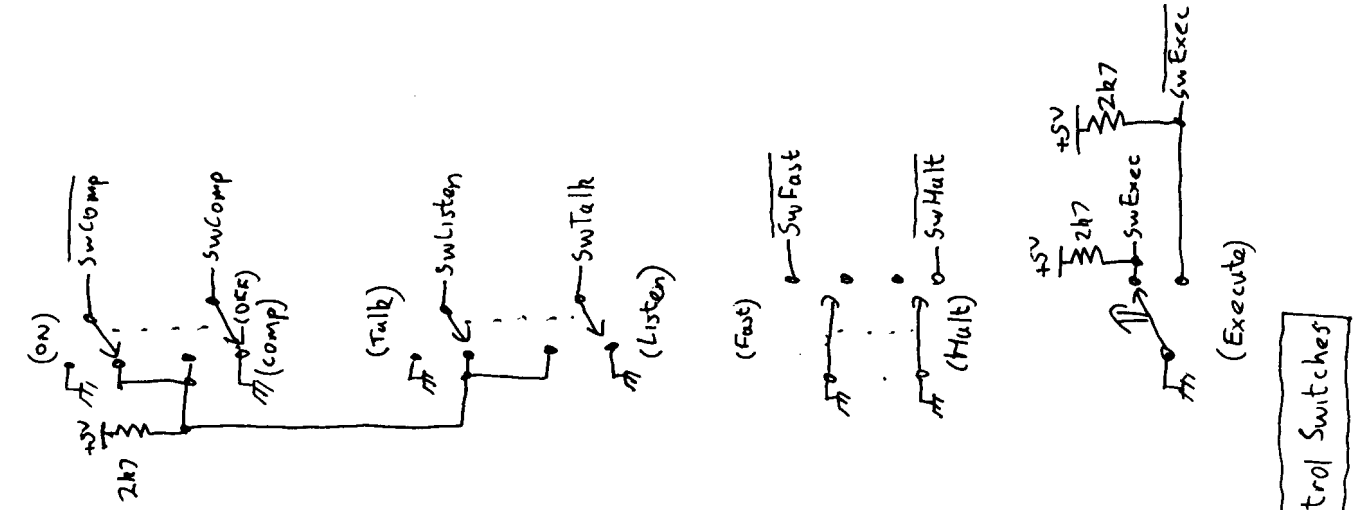
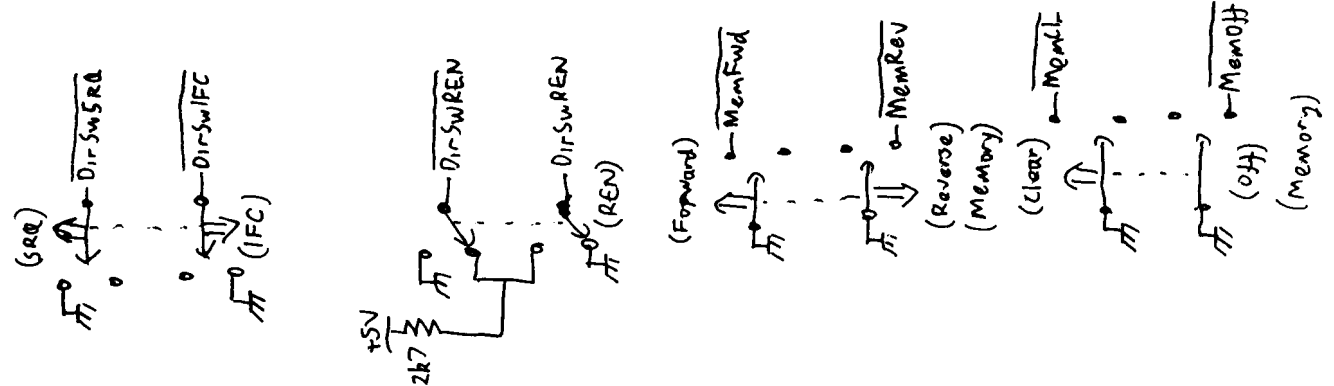
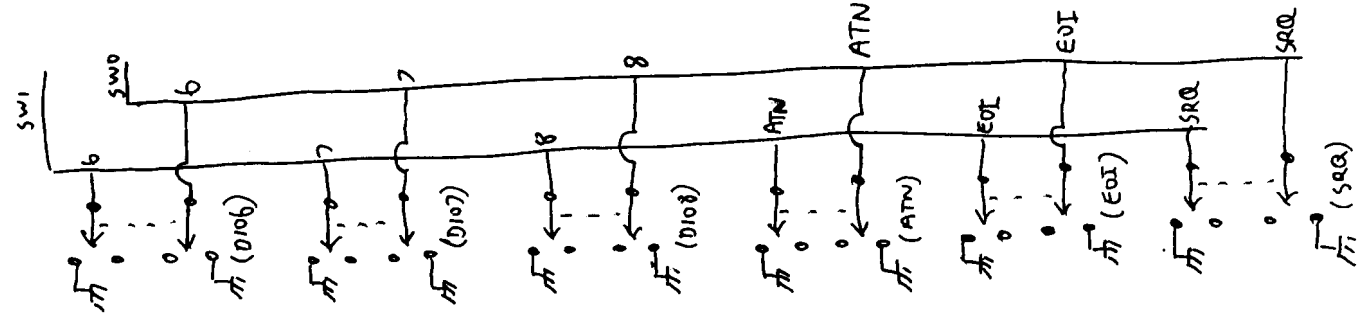
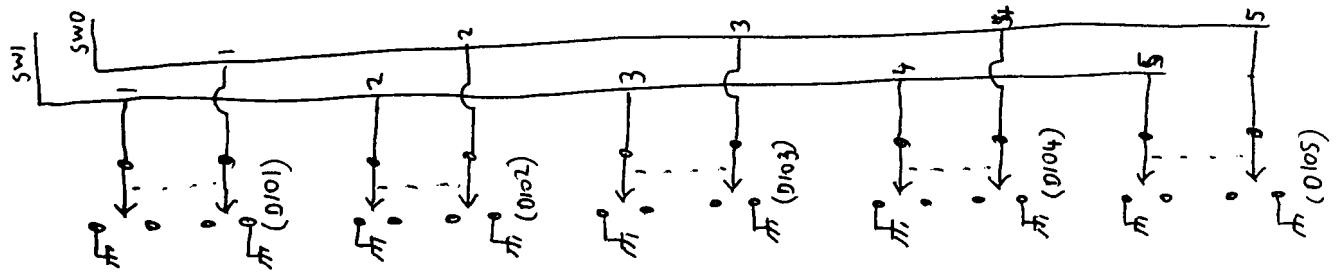


LMS



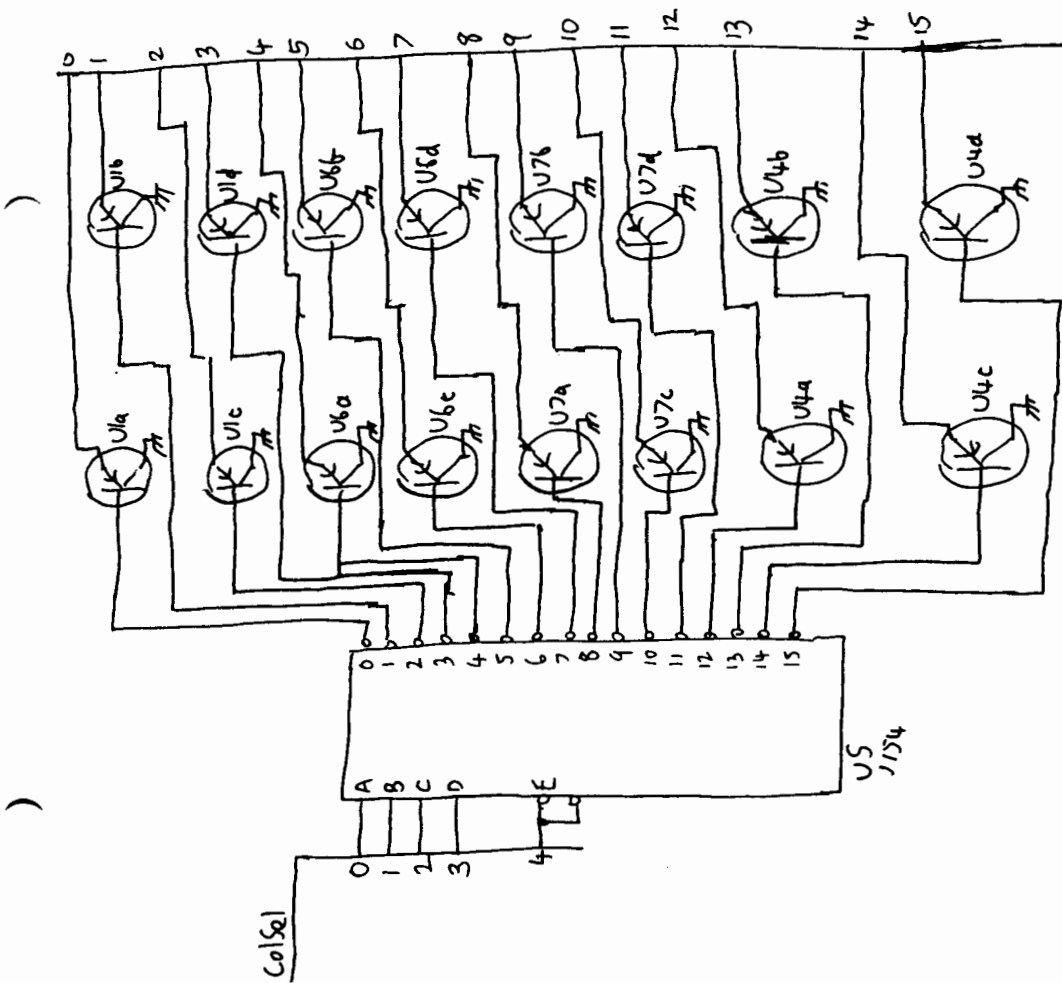
Data PCB Connector

Control PCB Connector

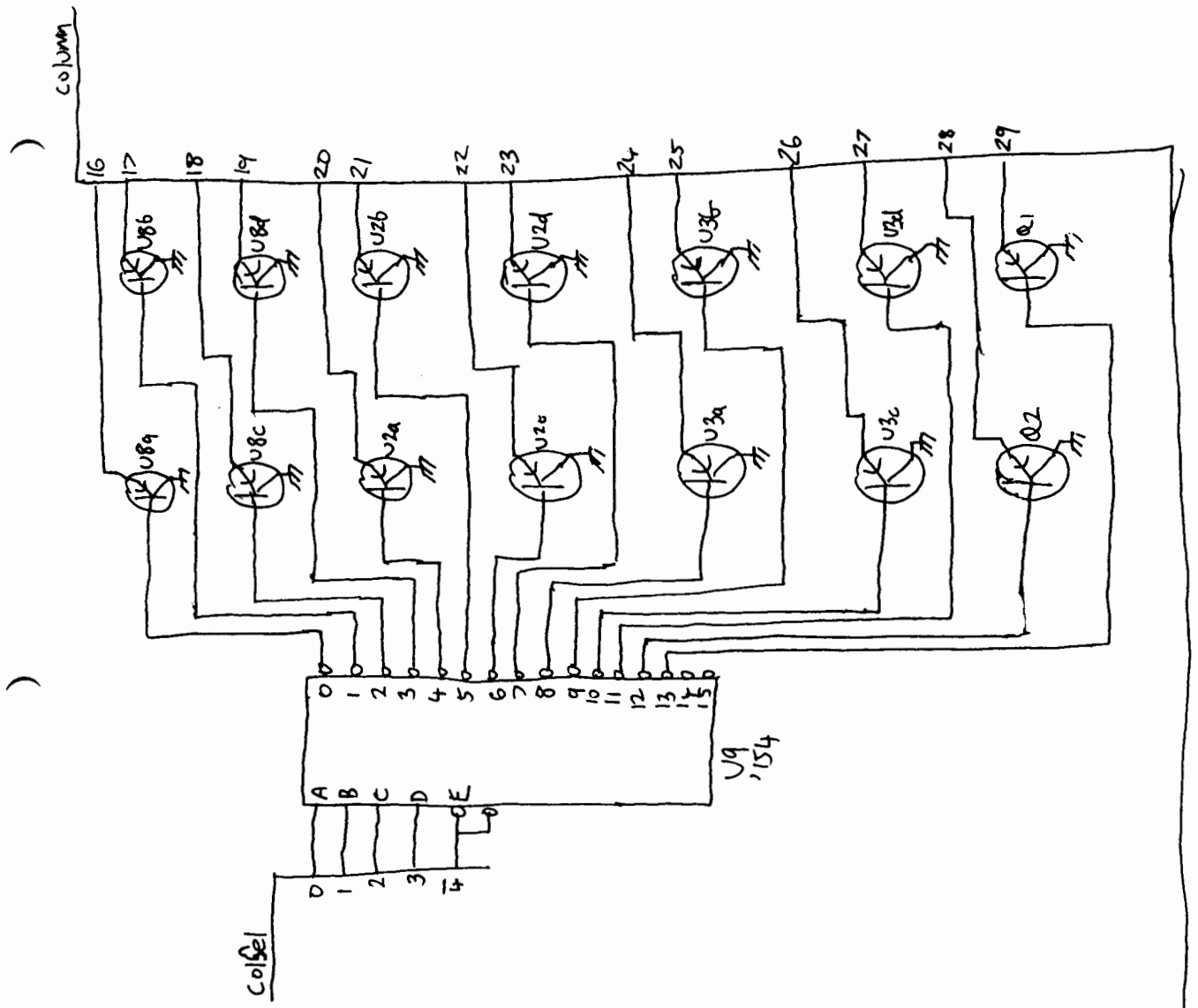


Control Switches

HP59401 HD18 A.1 D.18 S1 L.1

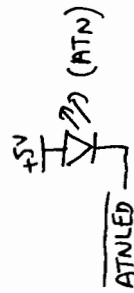
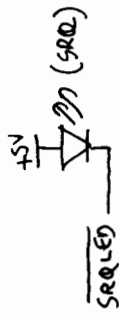
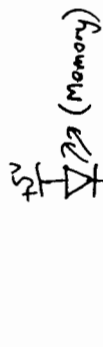
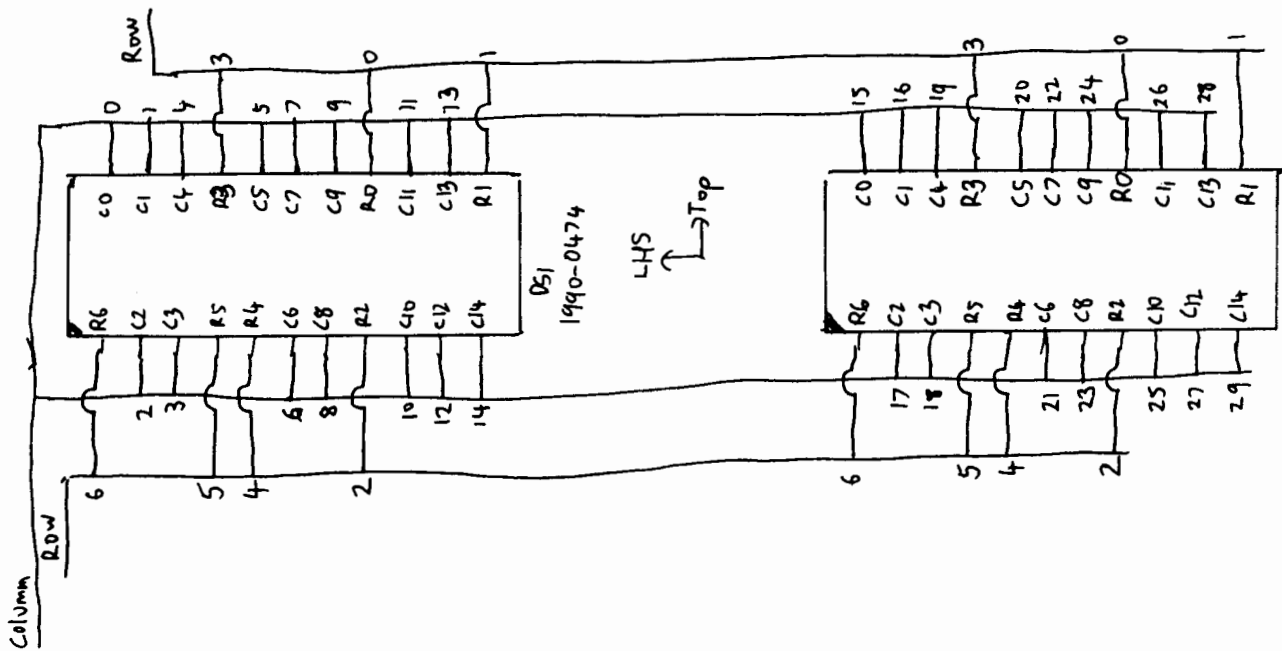


U1, U2, U3, U4, U6, U7, U8: 1858-0014
 Column Driver

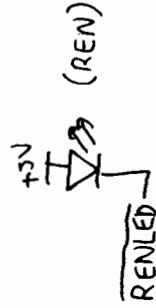
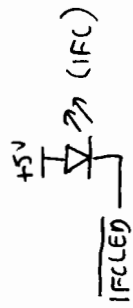
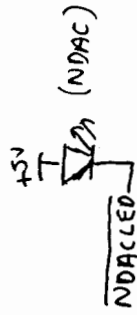
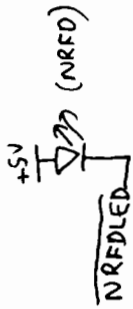
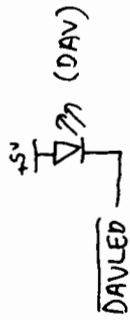


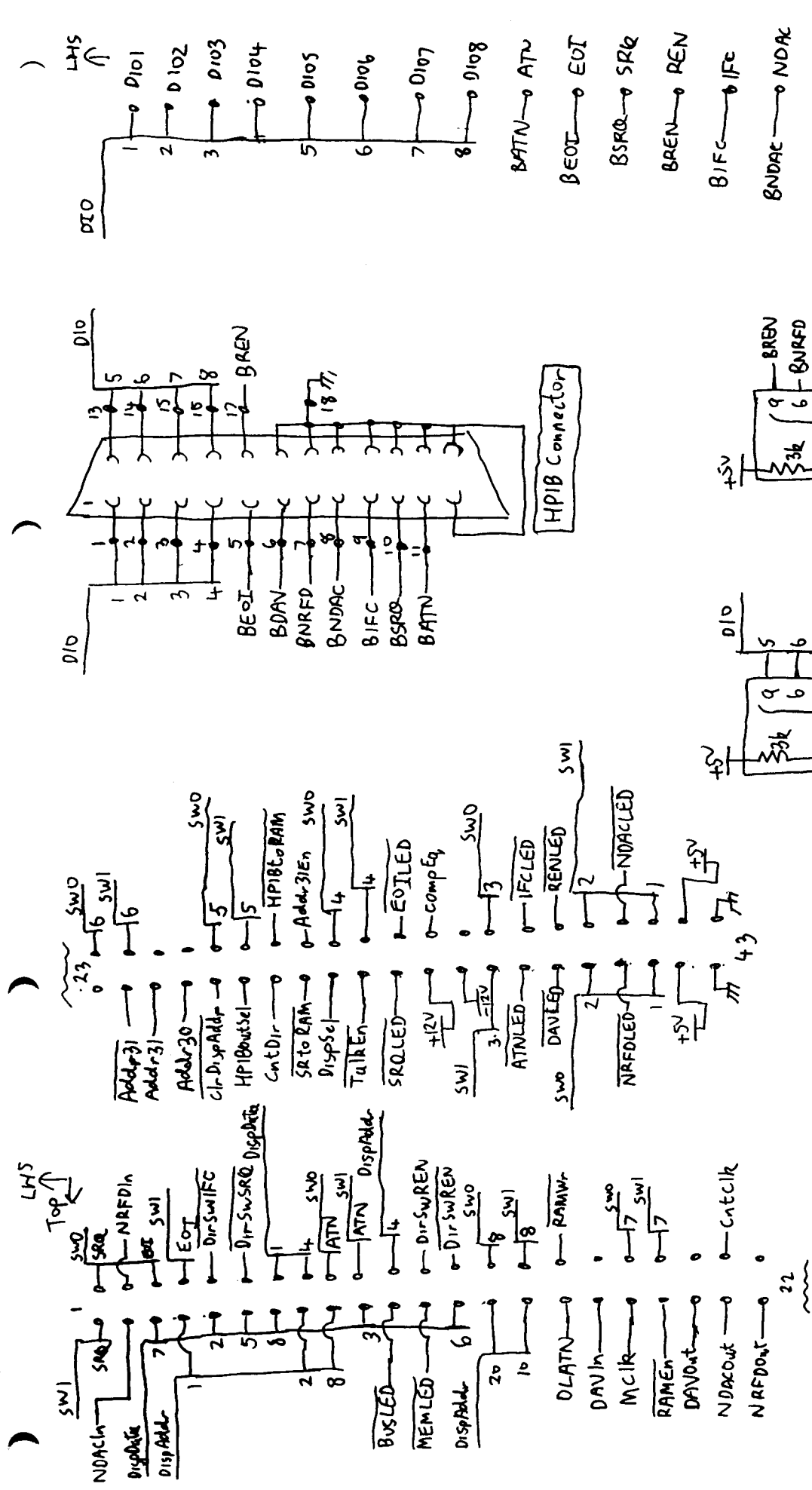
Column

ColSel



Status LEDs

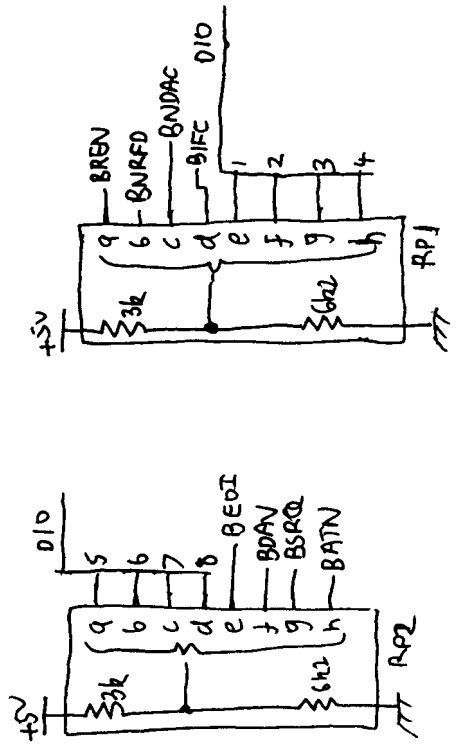


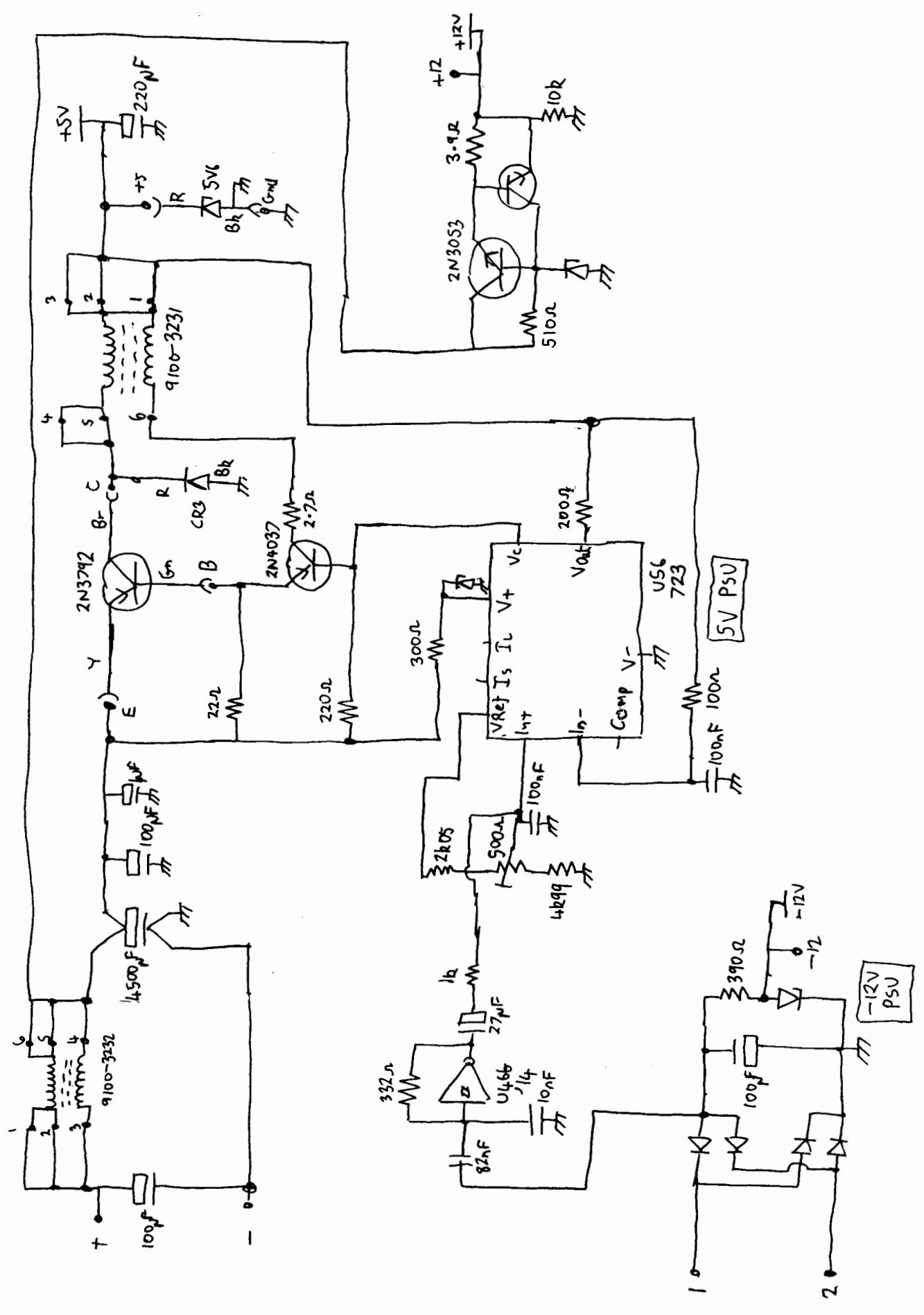


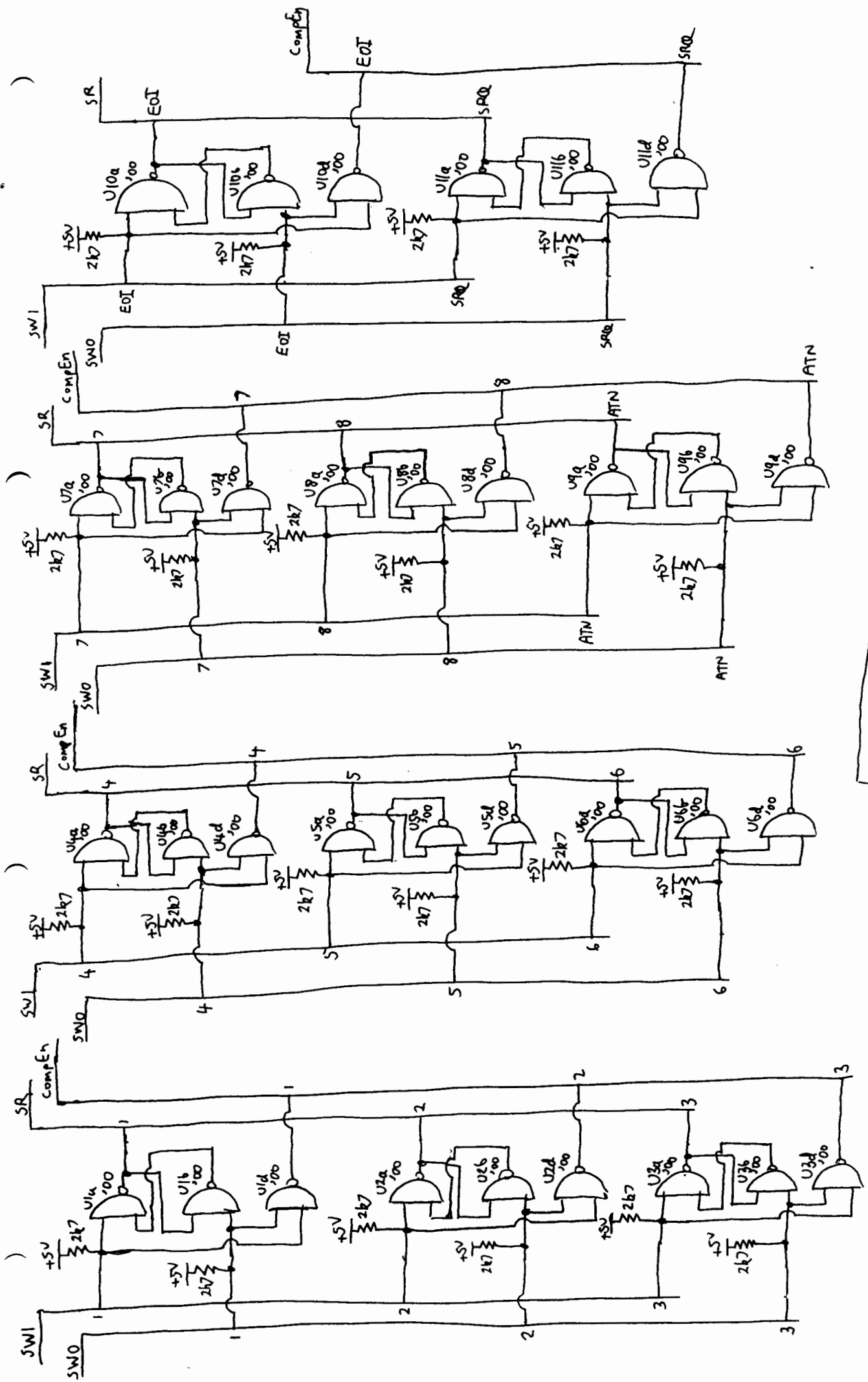
Display PCB Connector

HPiB Connector

HPiB Testpoints

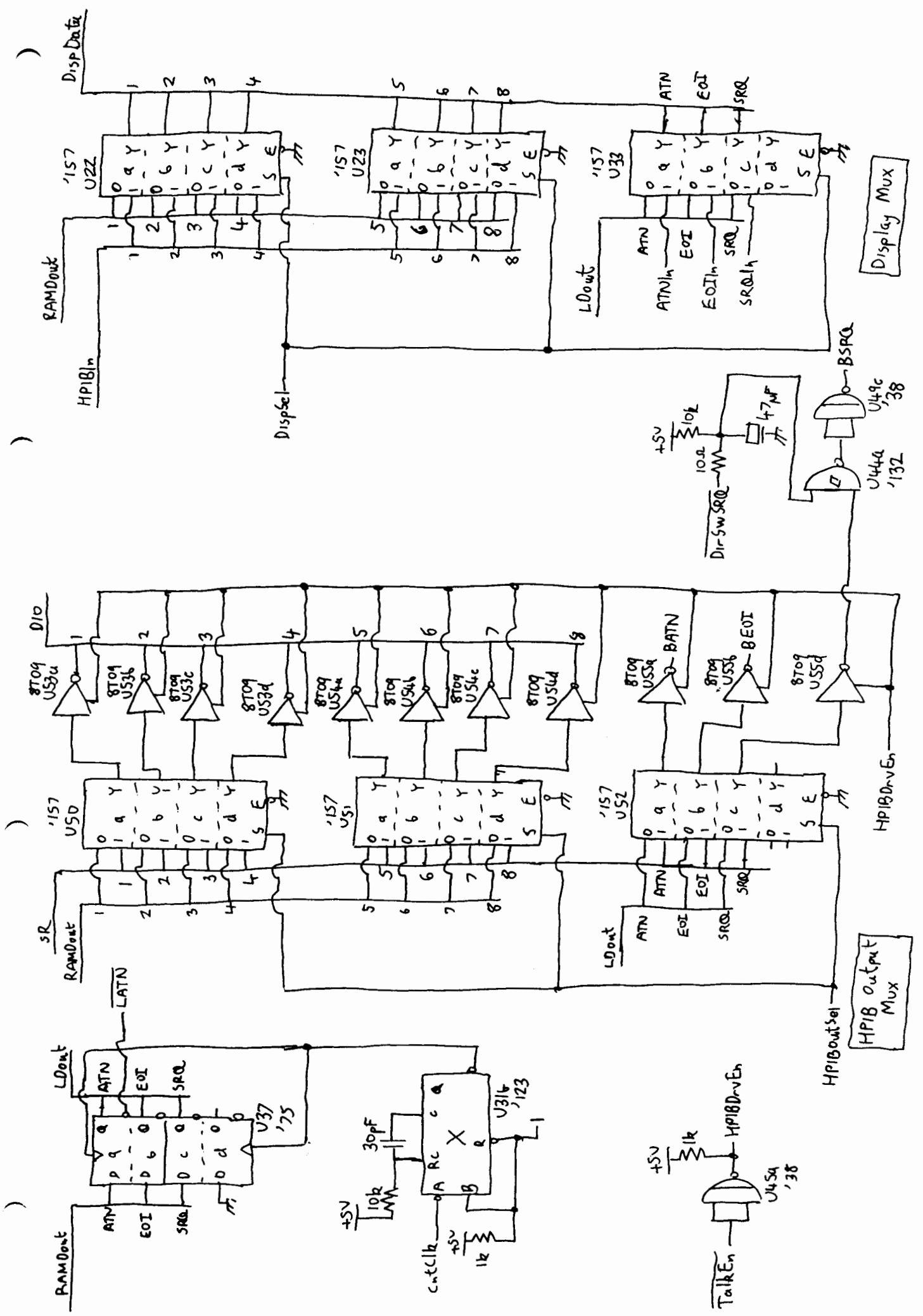


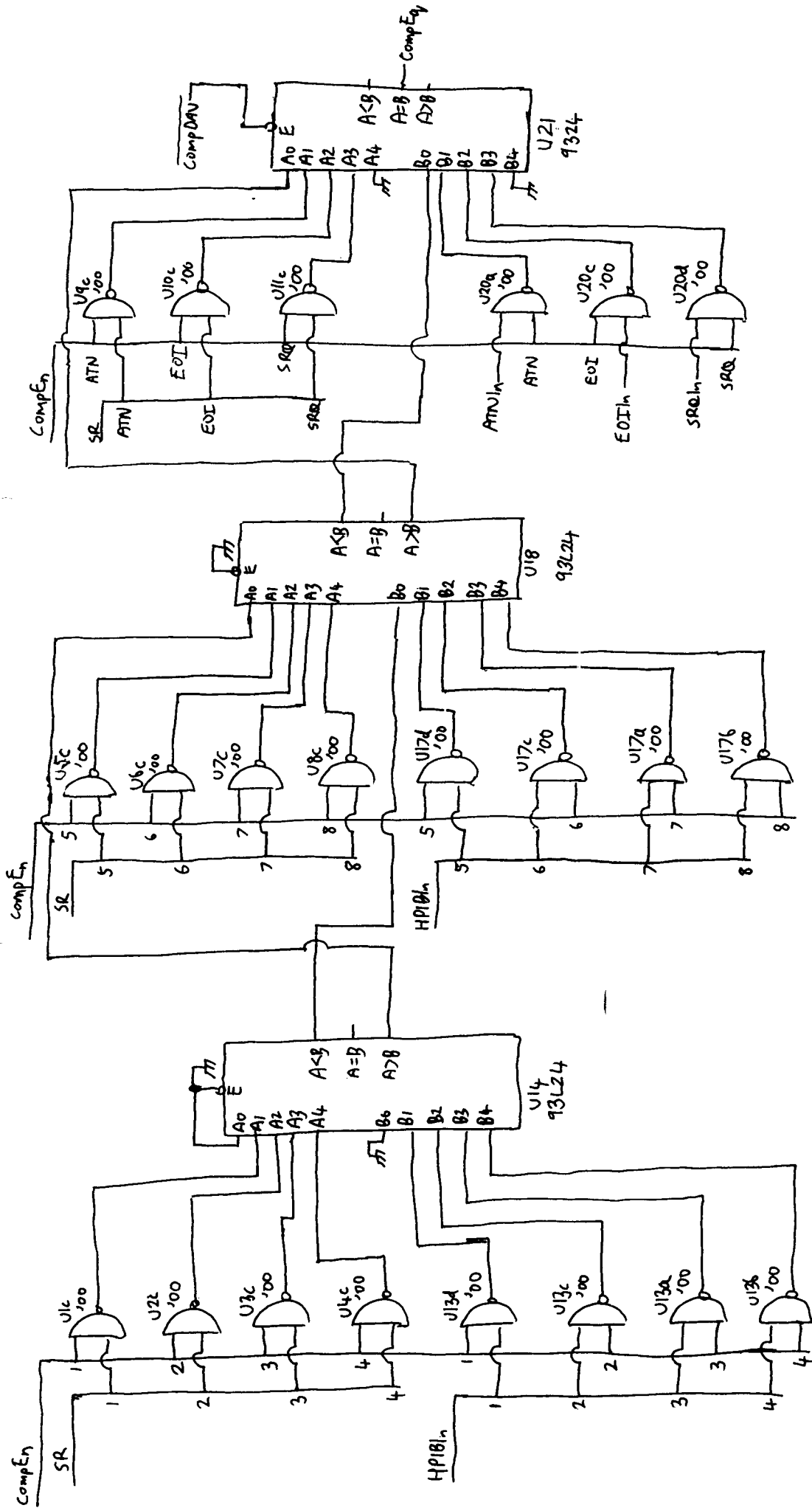




Switch Register

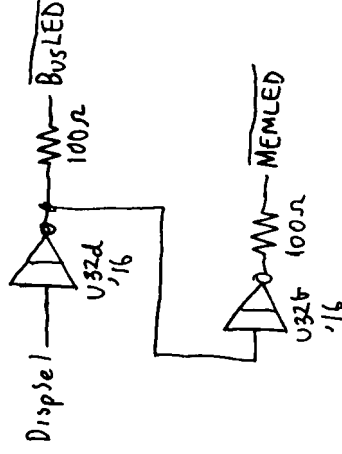
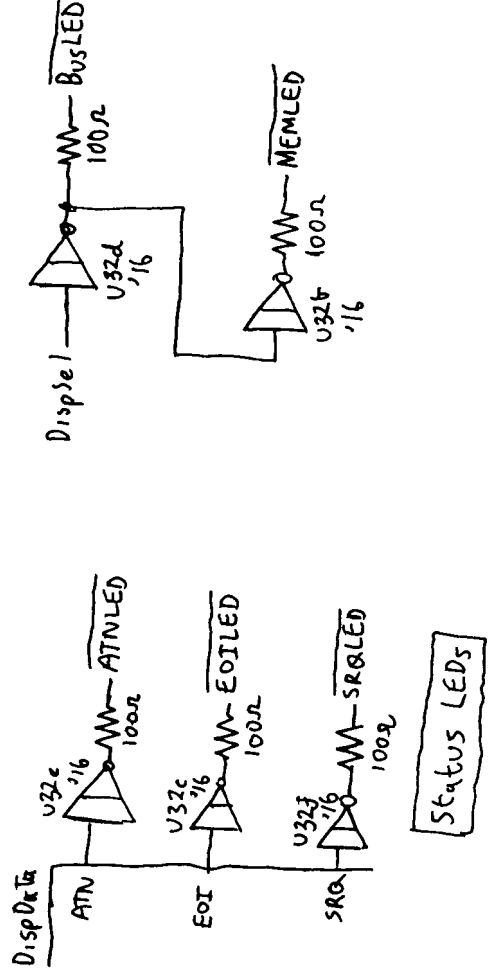
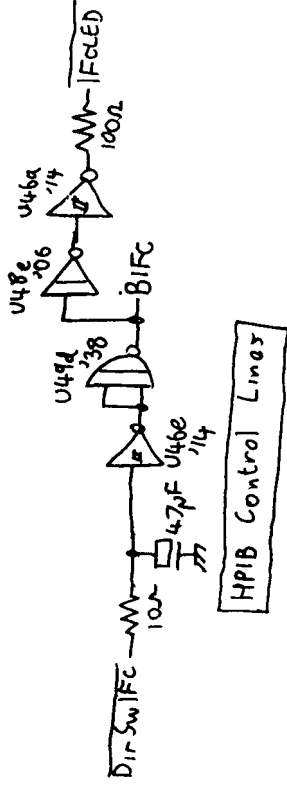
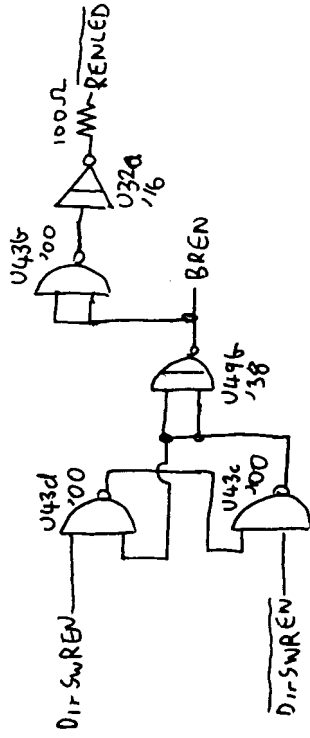
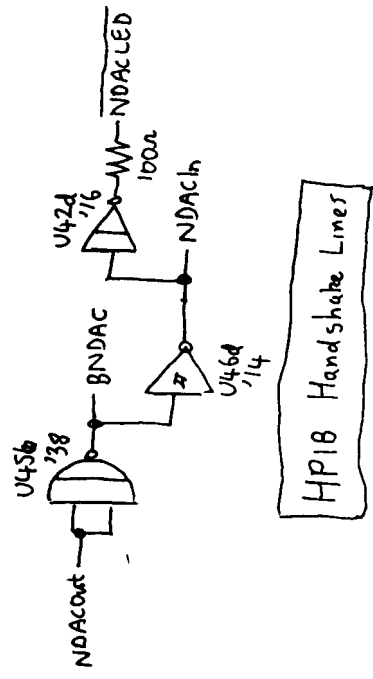
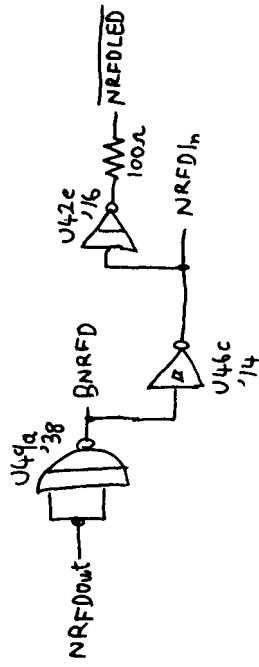
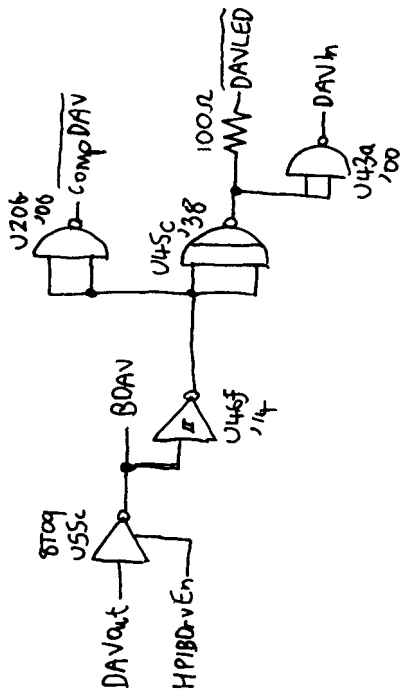
UPSAI... UOI... An... Dat... Pro... CI... T... (7) SAI... ..



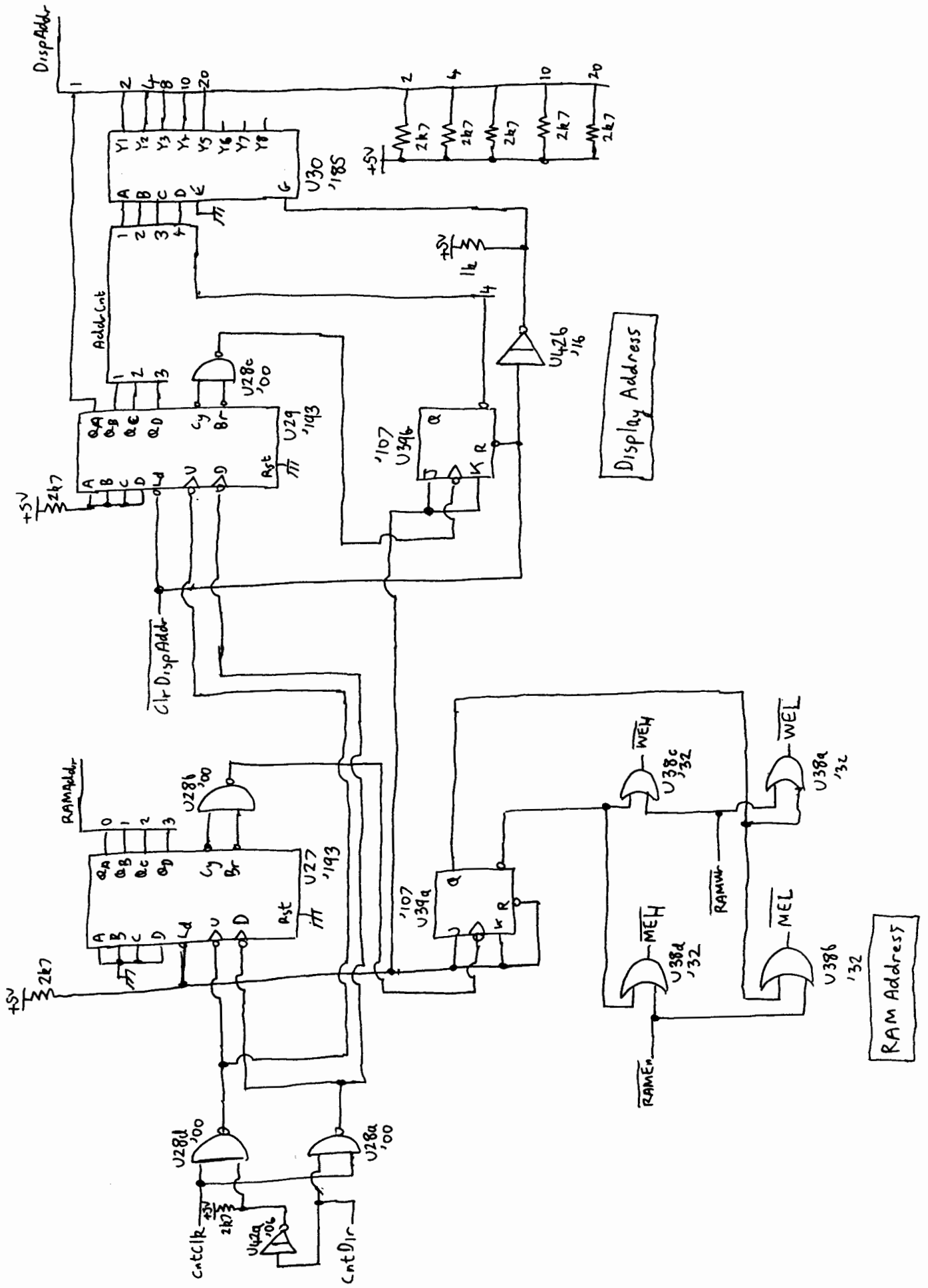


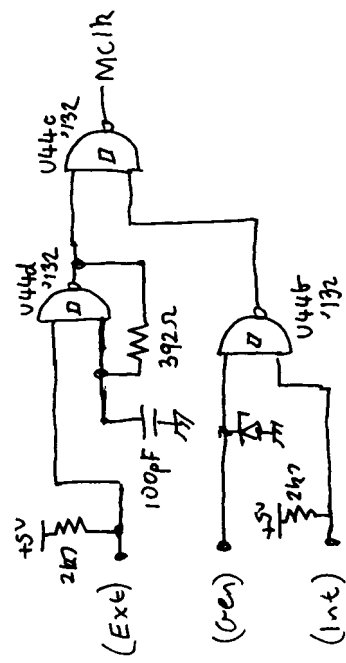
Comparator

HP59401 HP18 Analogue D.T. 8.00

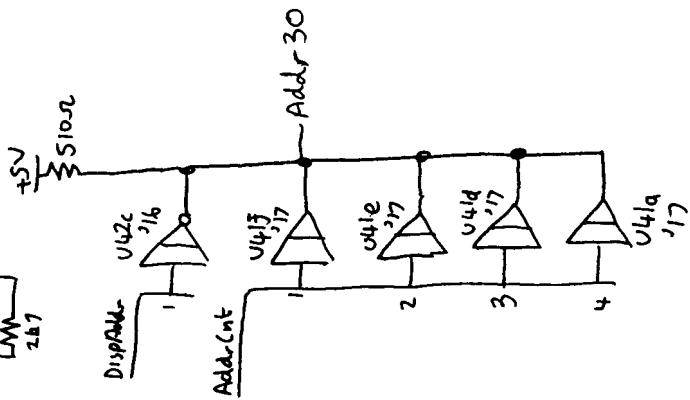
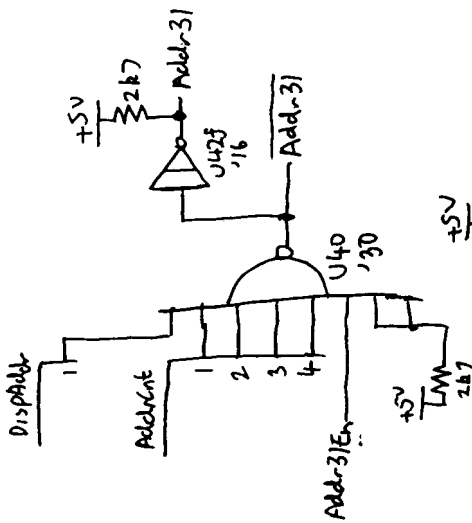
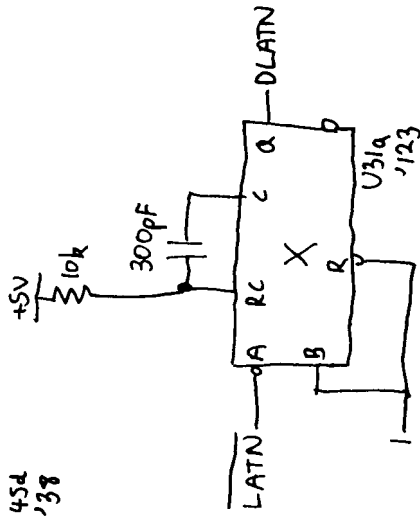
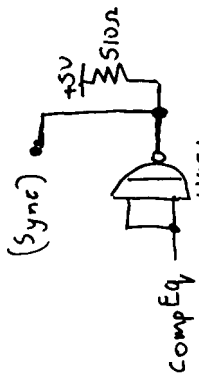


HP59401 HP10
D.T. Dr. ...
E.A. ...

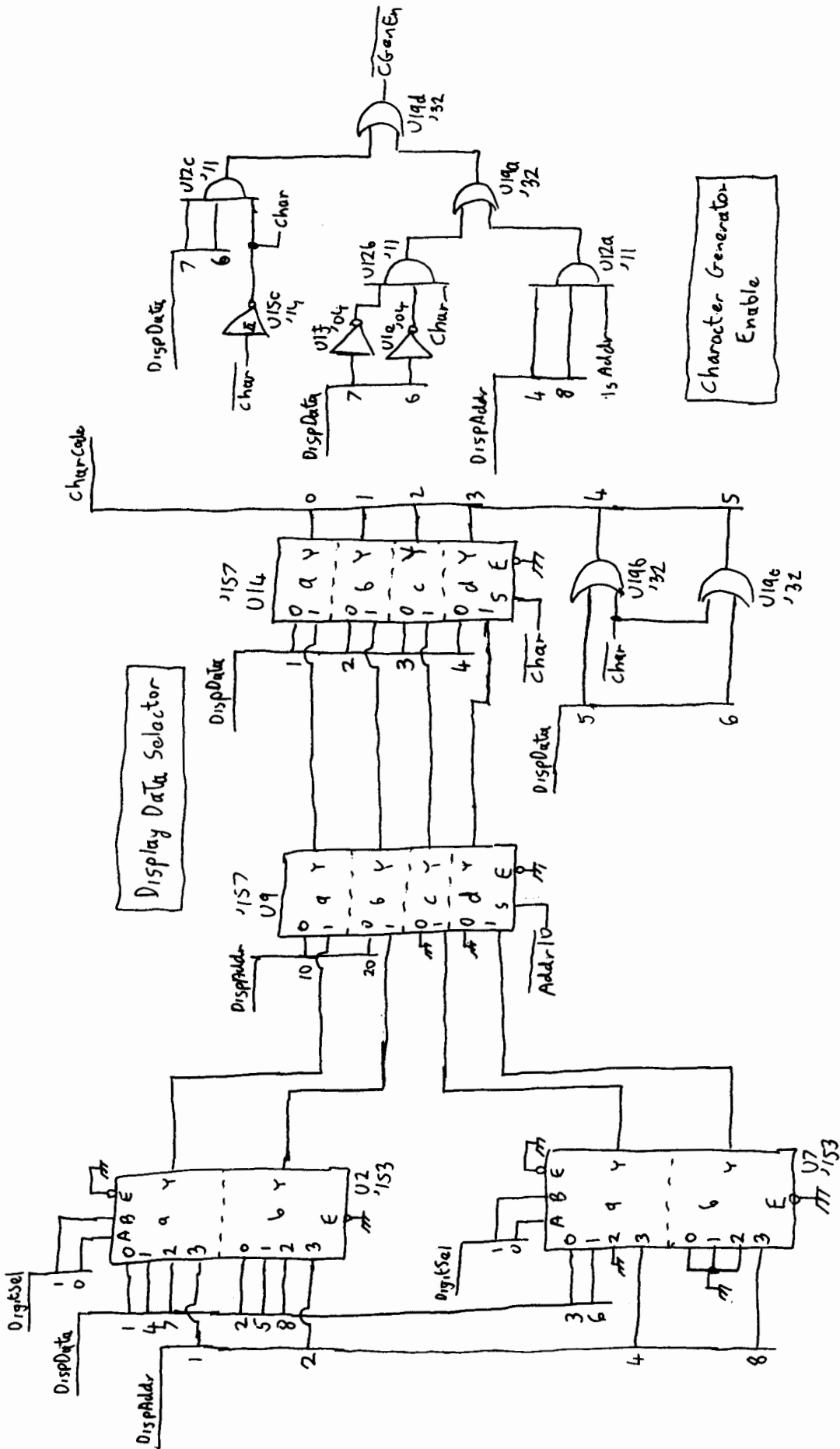


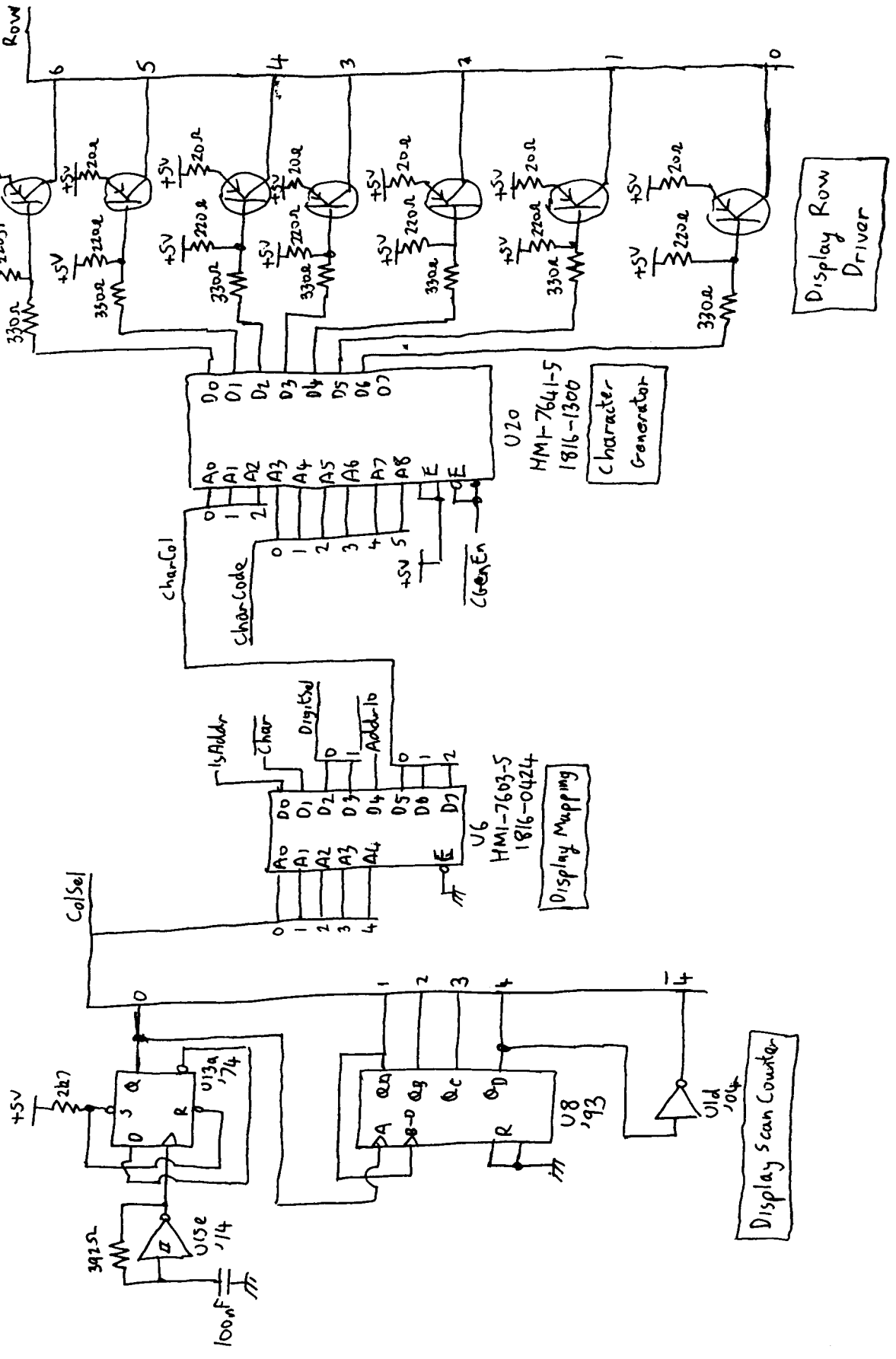


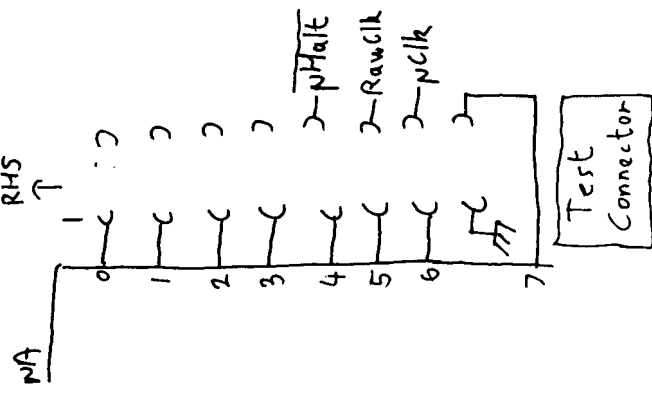
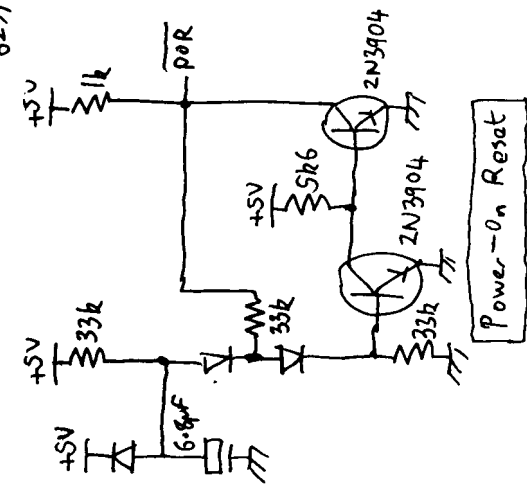
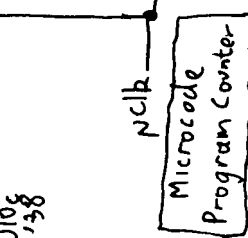
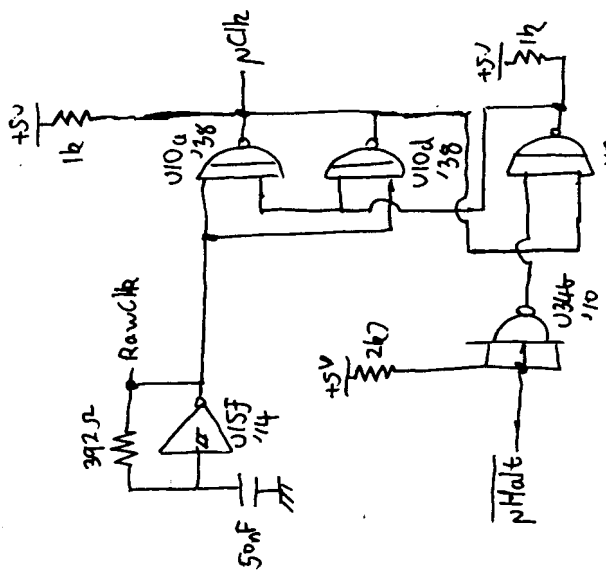
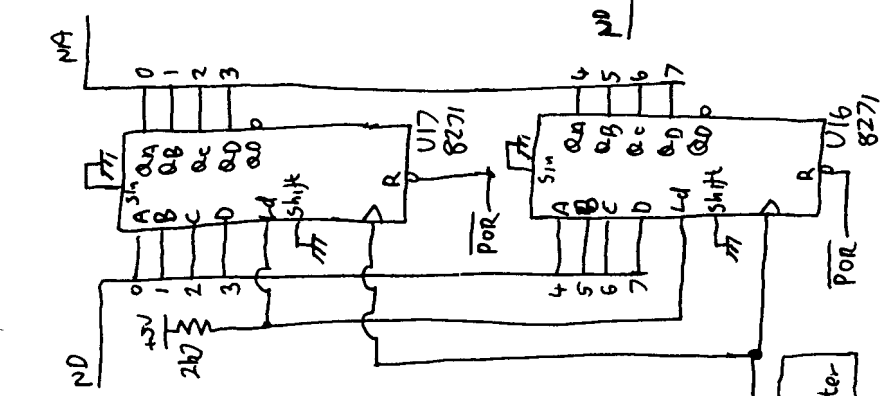
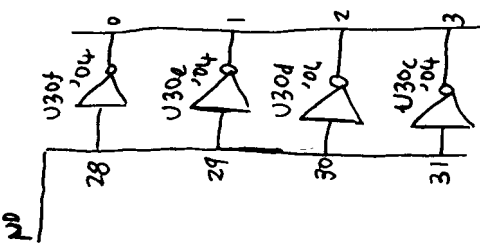
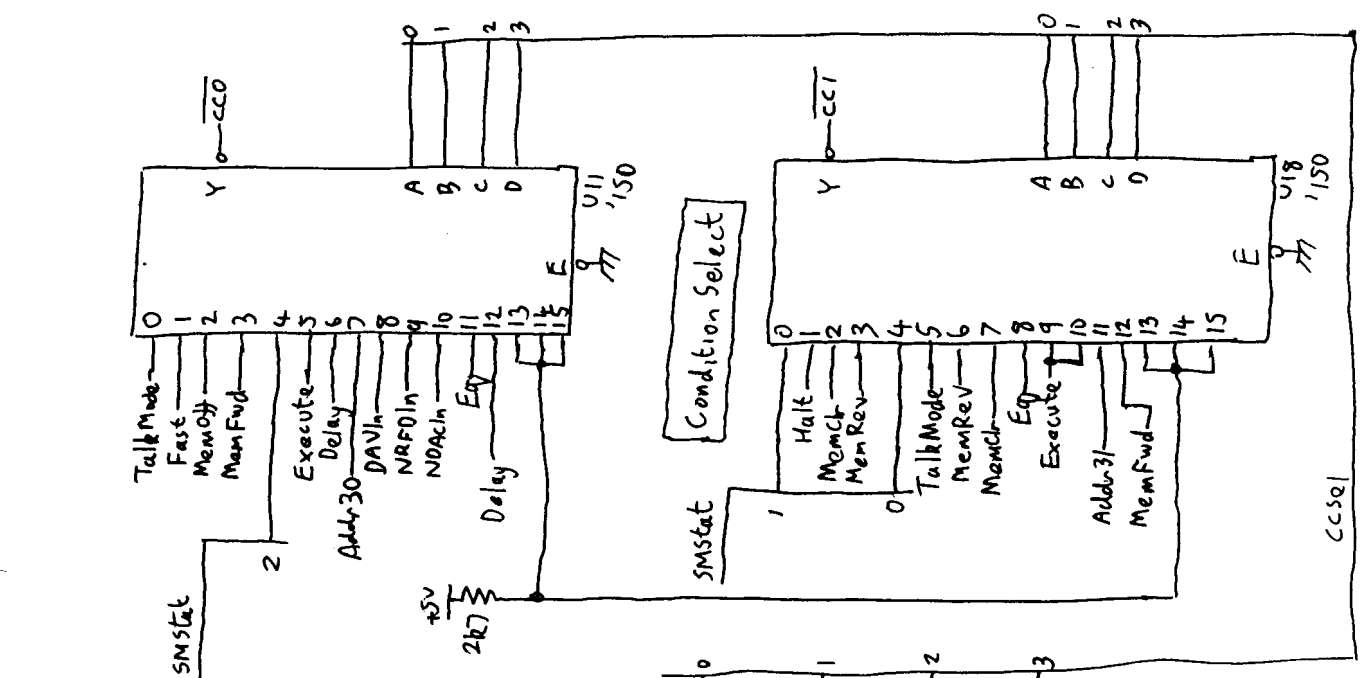
Master Clock



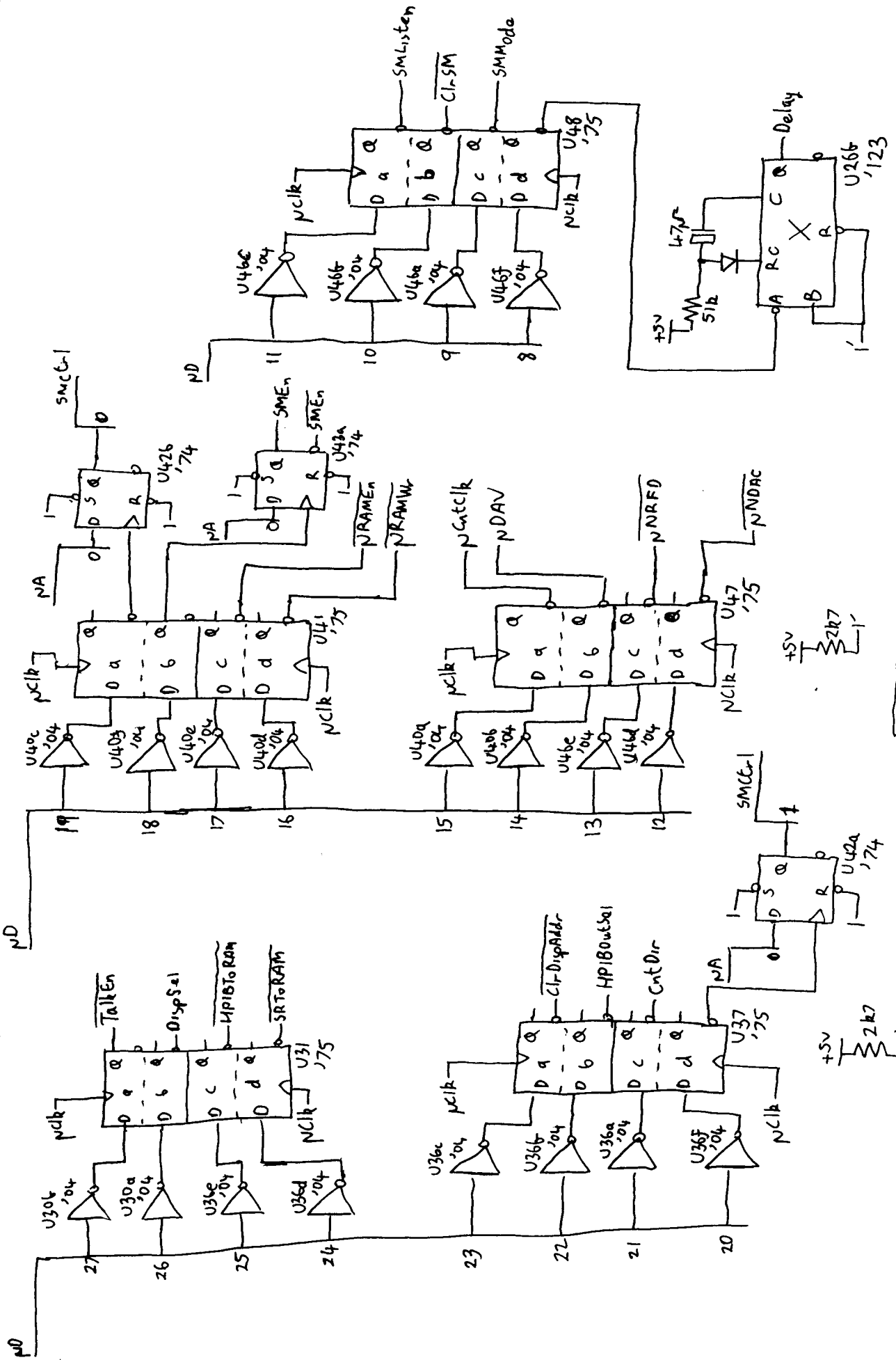
Address Control



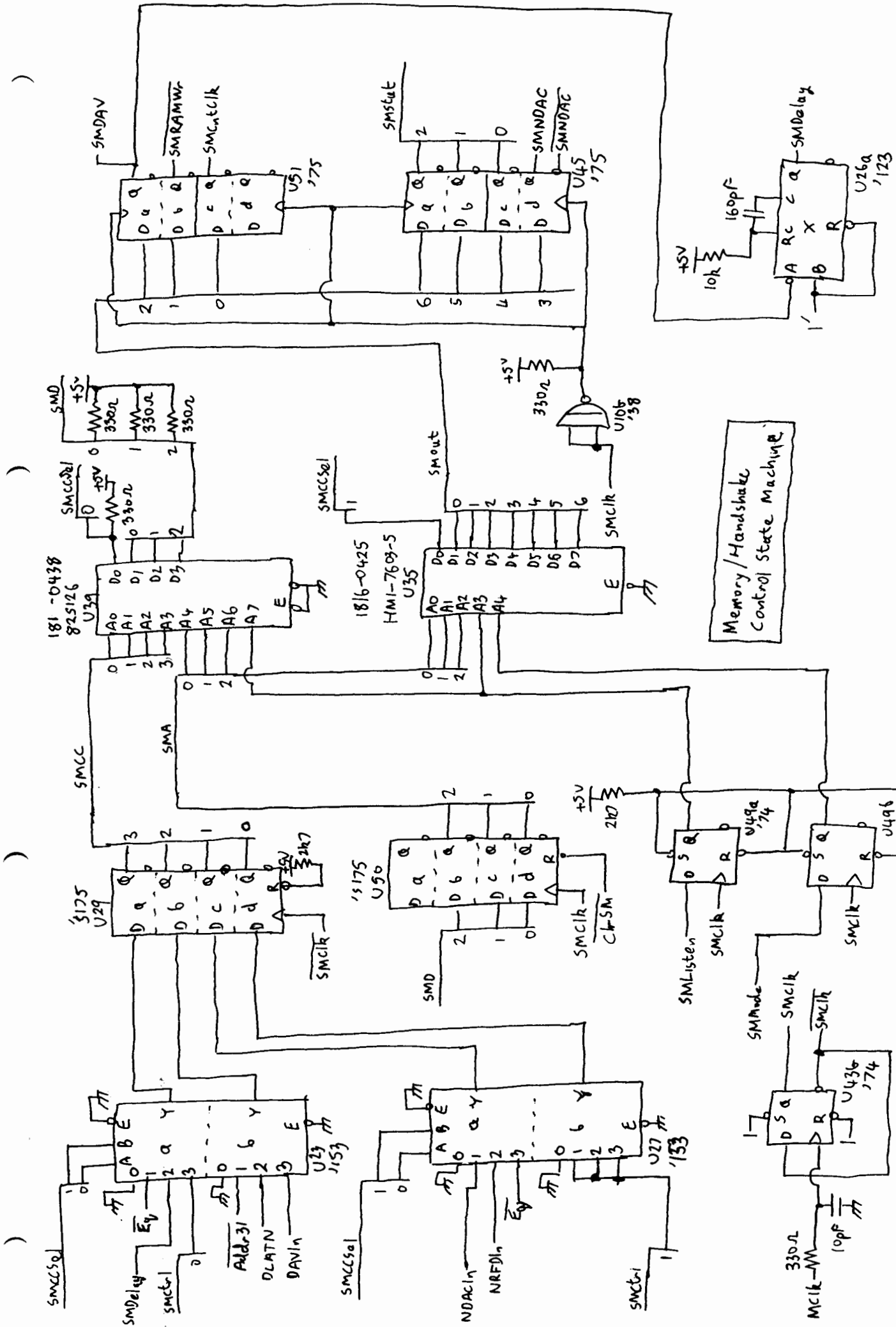




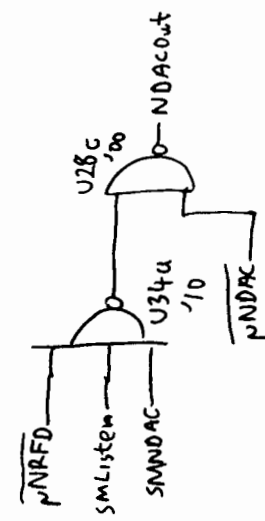
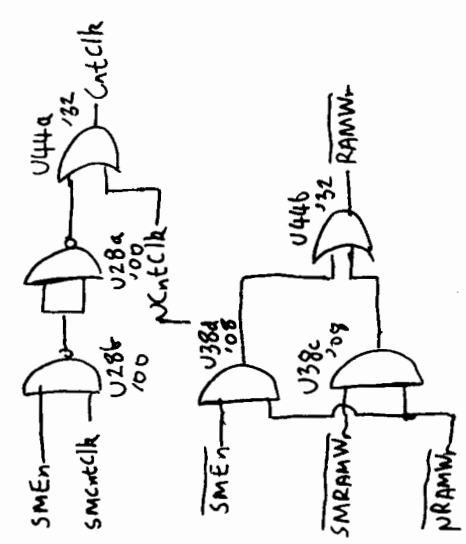
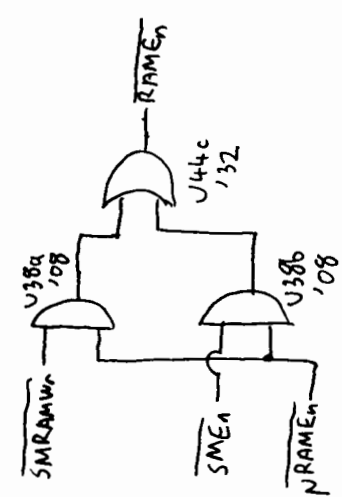
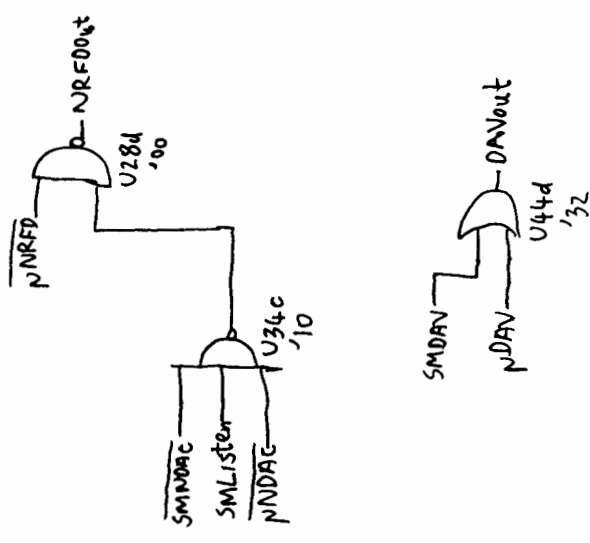
HPS9(0) HOIC A.1



Microcode Pipeline Register



Memory/Handshake
Control State Machine



State Machine Output