

HP9915

(J3) Front I/O PCB

- R9 - C -> RB
- R7 - C -> RB
- R5 - C -> R4
- R3 - C -> R2
- R1 - C -> R0
- Gnd - C -> Gnd
- C7 - C -> C6
- C5 - C -> C4
- C3 - C -> C2
- C1 - C -> C0
- Gnd - C -> Gnd
- KS - C -> KCL
- +6V - C -> KC
- Gnd - C -> Gnd
- B1 - C -> B0
- B3 - C -> B2
- B5 - C -> B4
- B7 - C -> B6
- +5V - C -> +5V
- 5V - C -> -5V
- Rd - C -> LMA
- 5V - C -> -5V
- Gnd - C -> Wr
- Ø12 - C -> PWDn
- +12Vc - C -> Ø1
- Ø21 - C -> +12V
- +12Vc - C -> Ø2
- VAB - C -> +12V
- VAI - C -> VA2
- VA3 - C -> VA4
- VAS - C -> VA6
- +5V - C -> +5V
- VD1 - C -> VD0
- VD3 - C -> VD2
- +5V - C -> +5V
- Gnd - C -> VCS
- VRAS - C -> Gnd
- Gnd - C -> VWr
- HORZ - C -> Gnd
- Gnd - C -> VD
- VERT - C -> Gnd
- CHI - C -> MCLK
- +5V - C -> +5V
- LED1 - C -> LED2)
- LED3 - C -> LED2
- LED5 - C -> LED4
- LED7 - C -> LED6
- P27 - C -> LED Run
- optpno - C -> Sph
- Keyst - C -> Keystart

LHS

(J5)

- Keypad
- RD - C -> C2
- Gnd - C -> C3
- KS - C -> C4
- +5V - C -> C5
- +5V - C -> LED0
- LEDRn - C -> LED1
- LEOST - C -> LED2
- N/C - C -> LED3
- N/C - C -> LED4
- Keyst - C -> LED5
- Keyst - C -> LED6
- LEDPwr - C -> LED7

LHS

(J4)

Tape Drive

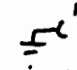
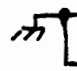
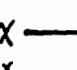
- Gnd - C -> -5V
- Gnd - C -> Ø1
- Ø2 - C -> Gnd
- Gnd - C -> B0
- Gnd - C -> B1
- PWDn - C -> B2
- Gnd - C -> B3
- +12Vc - C -> +12V2
- Gnd - C -> B4
- Gnd - C -> B5
- Gnd - C -> B6
- Gnd - C -> B7
- +6V - C -> Wr
- +6V - C -> Rd
- LMA - C -> Gnd
- Gnd - C -> +12VH
- Gnd - C -> +12VH
- Gnd - C -> +12VH

(J2)
LHS ↑ I/O Backplane

Gnd	-C	↔	SPKR
φ21	-C	↔	Gnd
Gnd	-C	↔	φ2
φ1	-C	↔	Gnd
Gnd	-C	↔	φ12
Gnd	-C	↔	Gnd
+12V	-C	↔	Gnd
+5V	-C	↔	+5V
$\overline{\text{LMAX}}$	-C	↔	+5V
$\overline{\text{IRLX}}$	-C	↔	$\overline{\text{HALTX}}$
$\overline{\text{ROX}}$	-C	↔	-5V
$\overline{\text{RC}}$	-C	↔	-12V
$\overline{\text{WRX}}$	-C	↔	$\overline{\text{PWO}}_n$
+5V	-C	↔	+5V
B4X	-C	↔	B0X
B5X	-C	↔	B1X
B6X	-C	↔	B2X
B7X	-C	↔	B3X
Gnd	-C	↔	Gnd
$\overline{\text{PR1H2}}$	-C	↔	+6V
$\overline{\text{RPR1H1}}$	-C	↔	Card2
$\overline{\text{PR1HX}}$	-C	↔	Card1

Front (J1)
↑ EPROM PCB

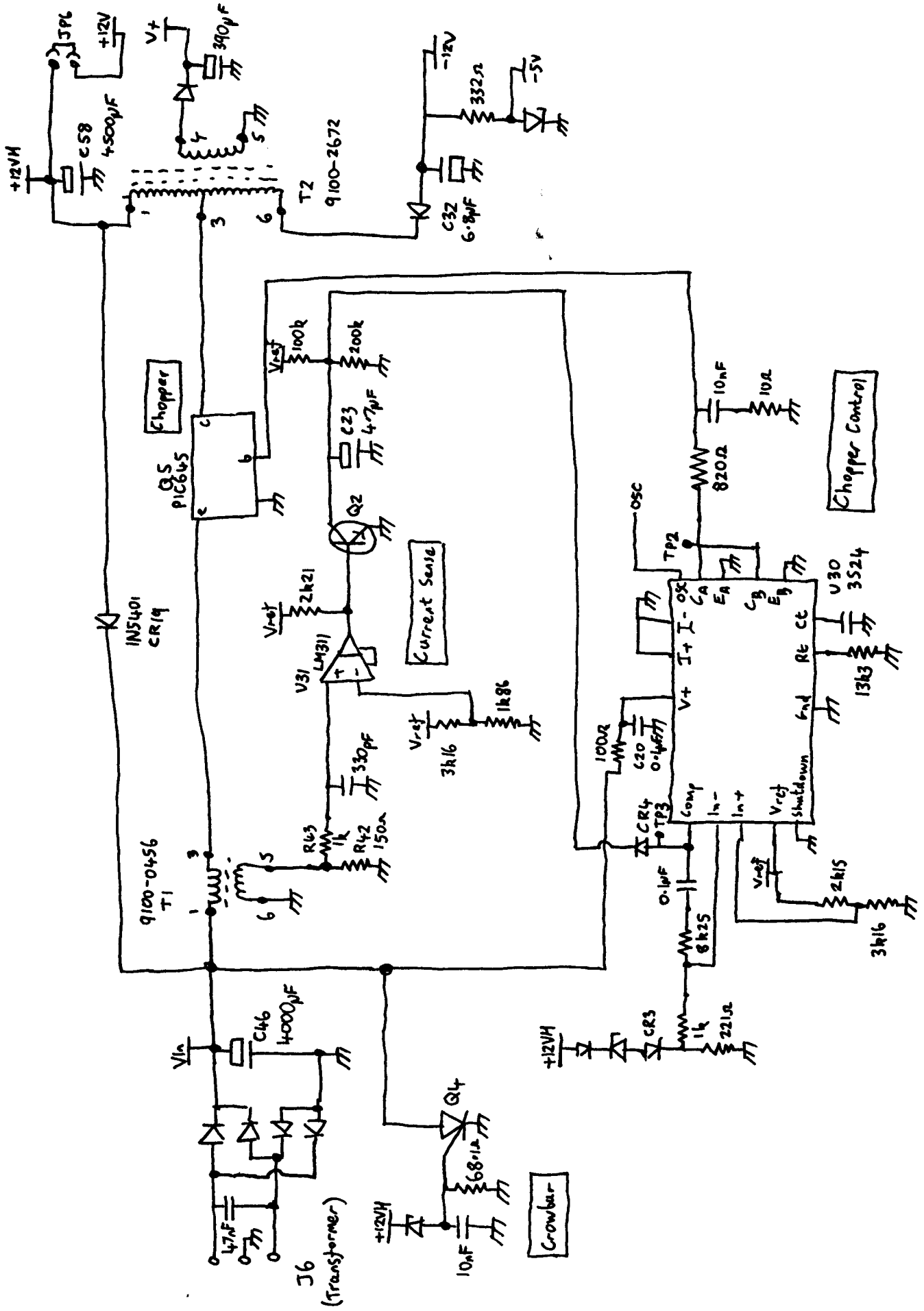
EA0	-C	↔	EA1
EA2	-C	↔	EA3
EA4	-C	↔	EA5
EA6	-C	↔	EA7
EA8	-C	↔	EA9
EA10	-C	↔	EA11
EA12	-C	↔	EA13
EA14	-C	↔	EA15
+5V	-C	↔	+5V
ED0	-C	↔	ED1
ED2	-C	↔	ED3
ED4	-C	↔	ED5
ED6	-C	↔	ED7
+5V	-C	↔	+5V
$\overline{\text{ECS0}}$	-C	↔	$\overline{\text{ECS1}}$
$\overline{\text{ECS2}}$	-C	↔	$\overline{\text{ECS3}}$
$\overline{\text{ECS4}}$	-C	↔	$\overline{\text{ECS5}}$
$\overline{\text{ECS6}}$	-C	↔	$\overline{\text{ECS7}}$
Gnd	-C	↔	Gnd
Gnd	-C	↔	Gnd
Gnd	-C	↔	ES0
ES1	-C	↔	ES2

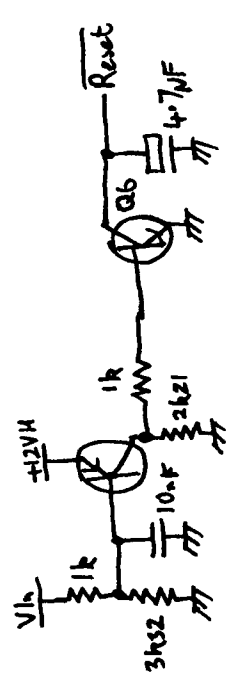
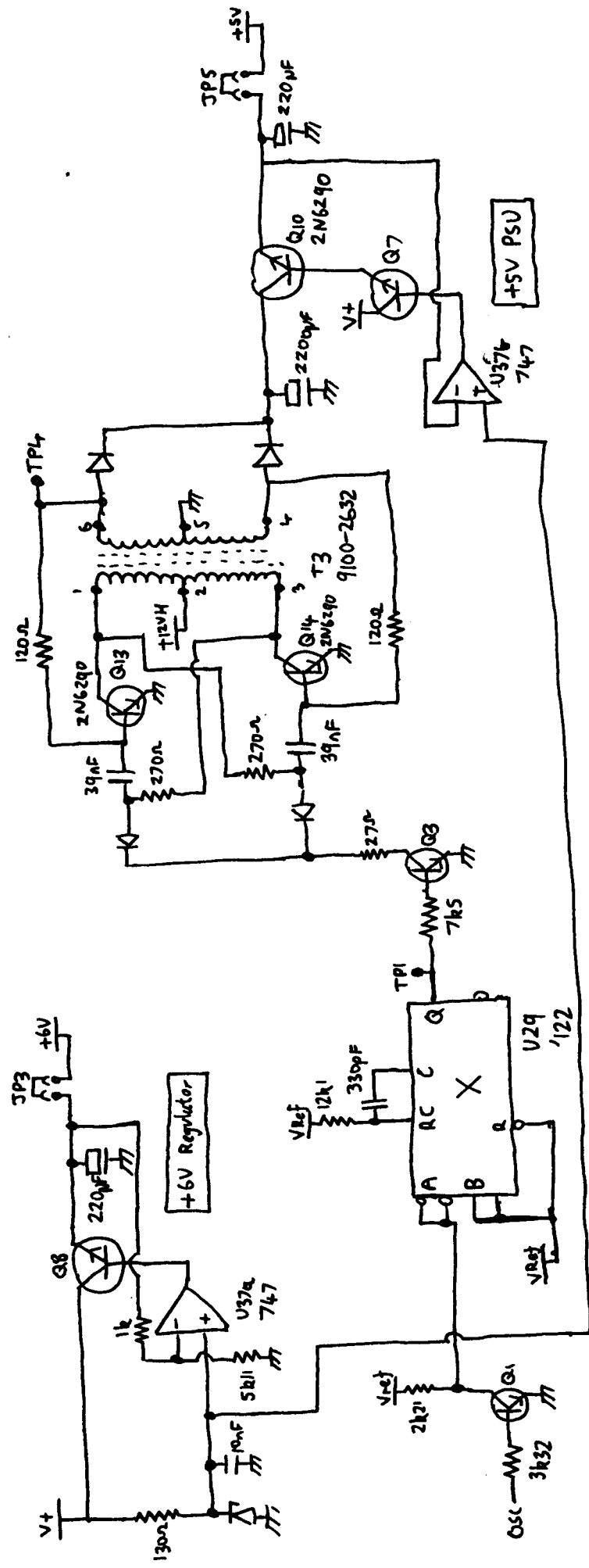
	-C	↔	COX
ROX	-C	↔	C1X
R1X	-C	↔	C2X
R2X	-C	↔	C3X
R3X	-C	↔	C4X
R4X	-C	↔	C5X
	-C	↔	C6X
	-C	↔	C7X
R5X	-C	↔	$\overline{\text{KSX}}$
R6X	-C	↔	$\overline{\text{KCX}}$
R7X	-C	↔	$\overline{\text{KCLX}}$
R8X	-C	↔	SphrX
R9X	-C	↔	

Keyboard

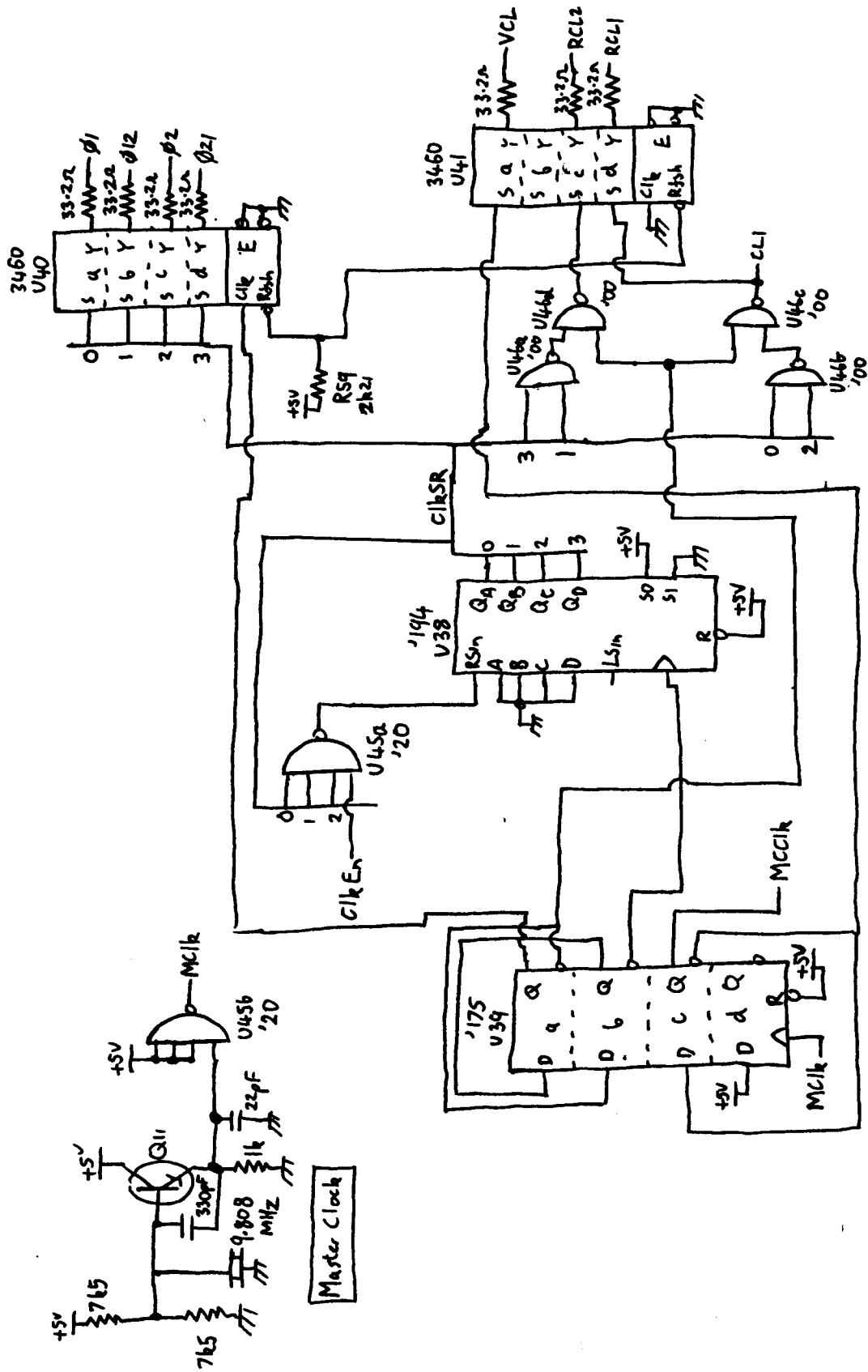
LED0X	-C	↔	$\overline{\text{Rux}}$
LED1X	-C	↔	$\overline{\text{Tsex}}$
LED2X	-C	↔	$\overline{\text{PWOX}}$
LED3X	-C	↔	
LED4X	-C	↔	$\overline{\text{KeystatX}}$
LED5X	-C	↔	$\overline{\text{KeyStX}}$
LED6X	-C	↔	
LED7X	-C	↔	

Control

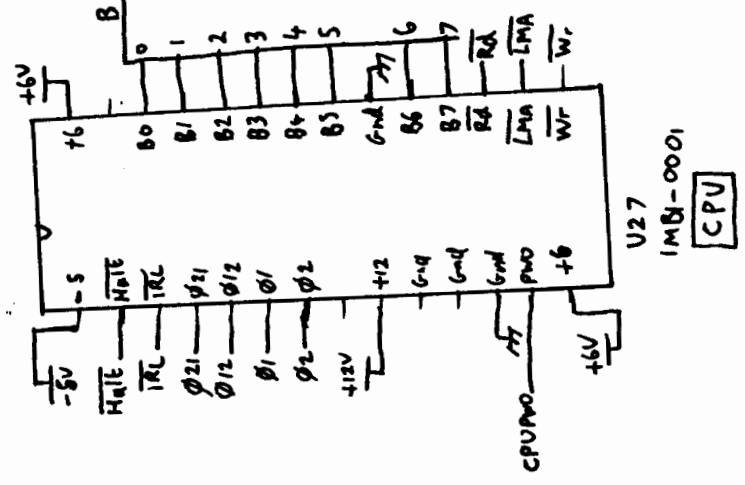
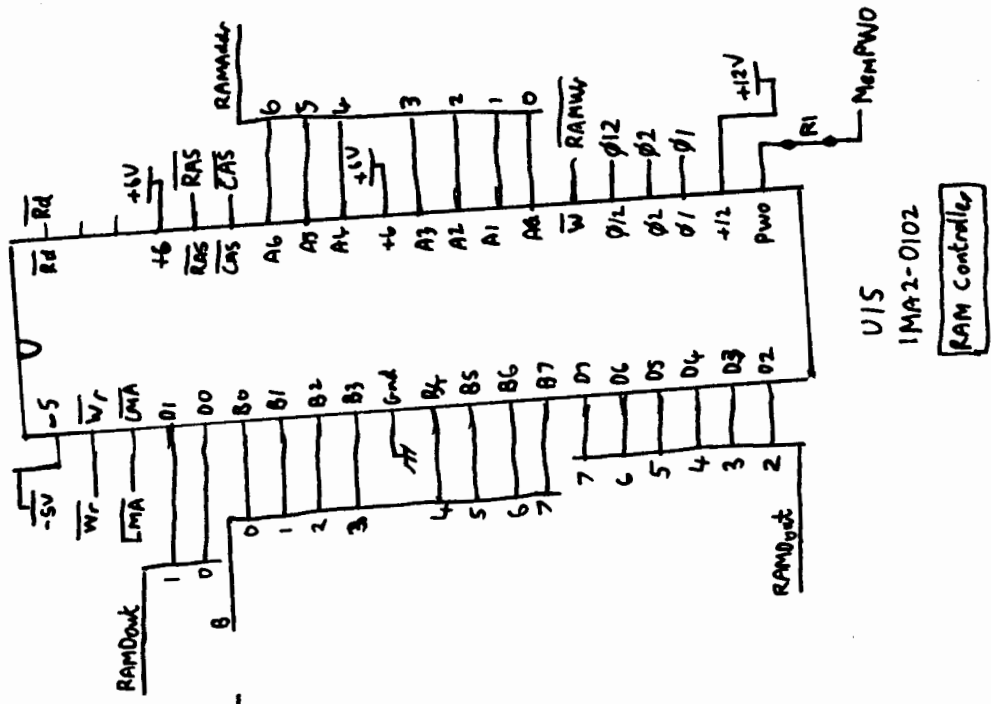
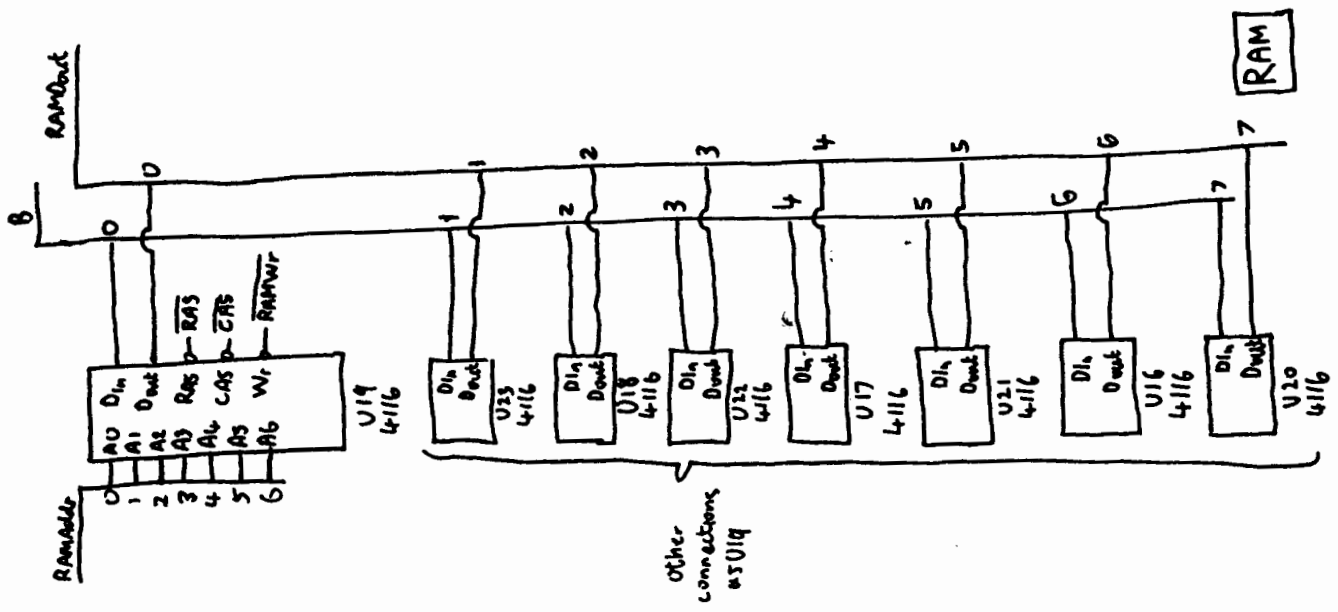


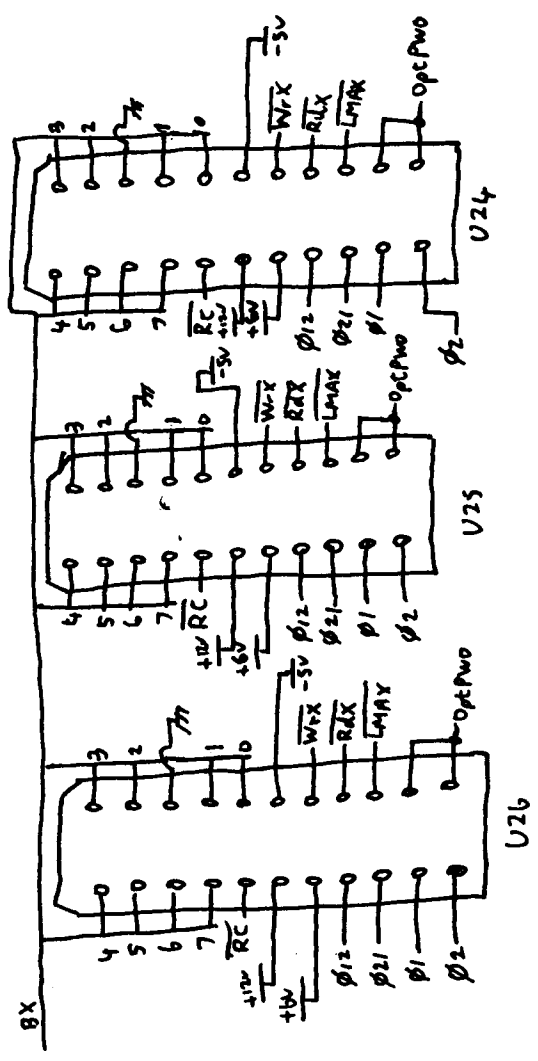
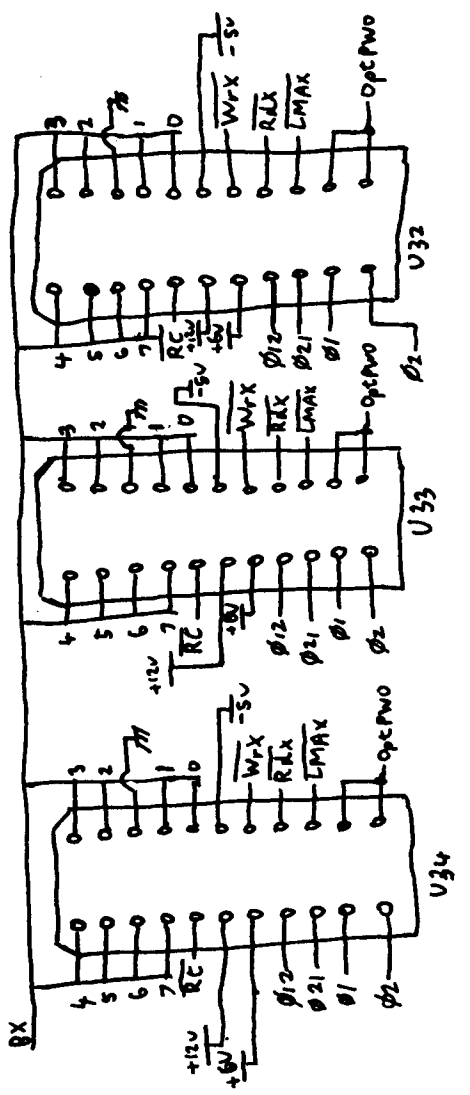
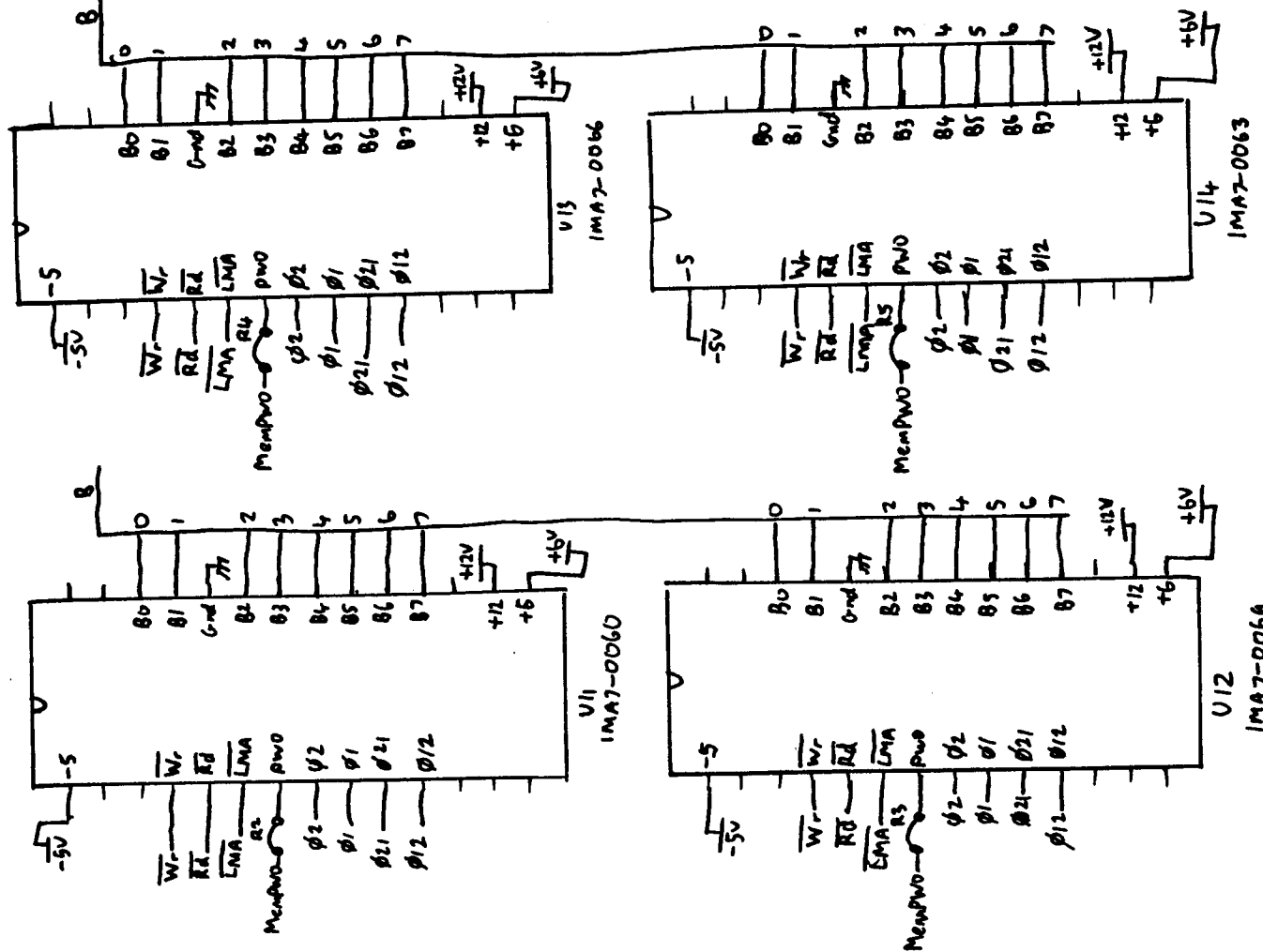


Microcontroller Reset



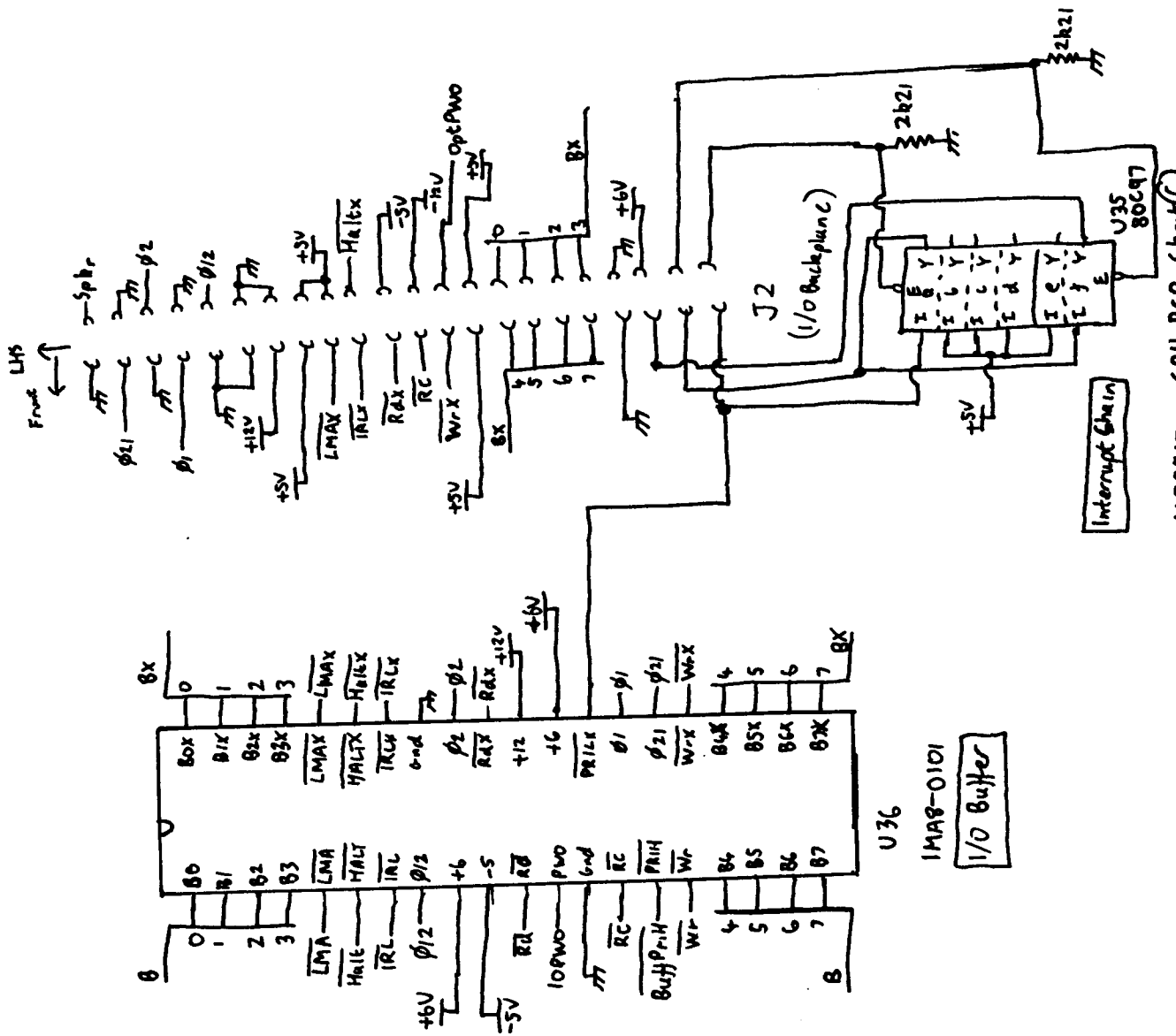
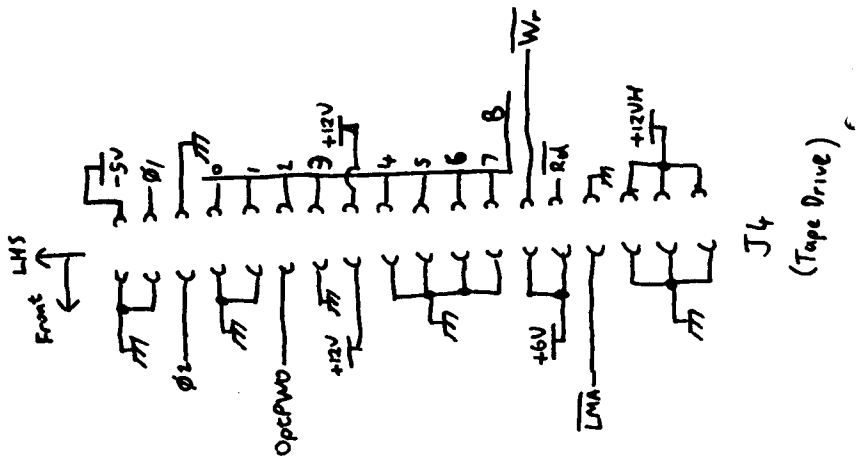
Clock Generator

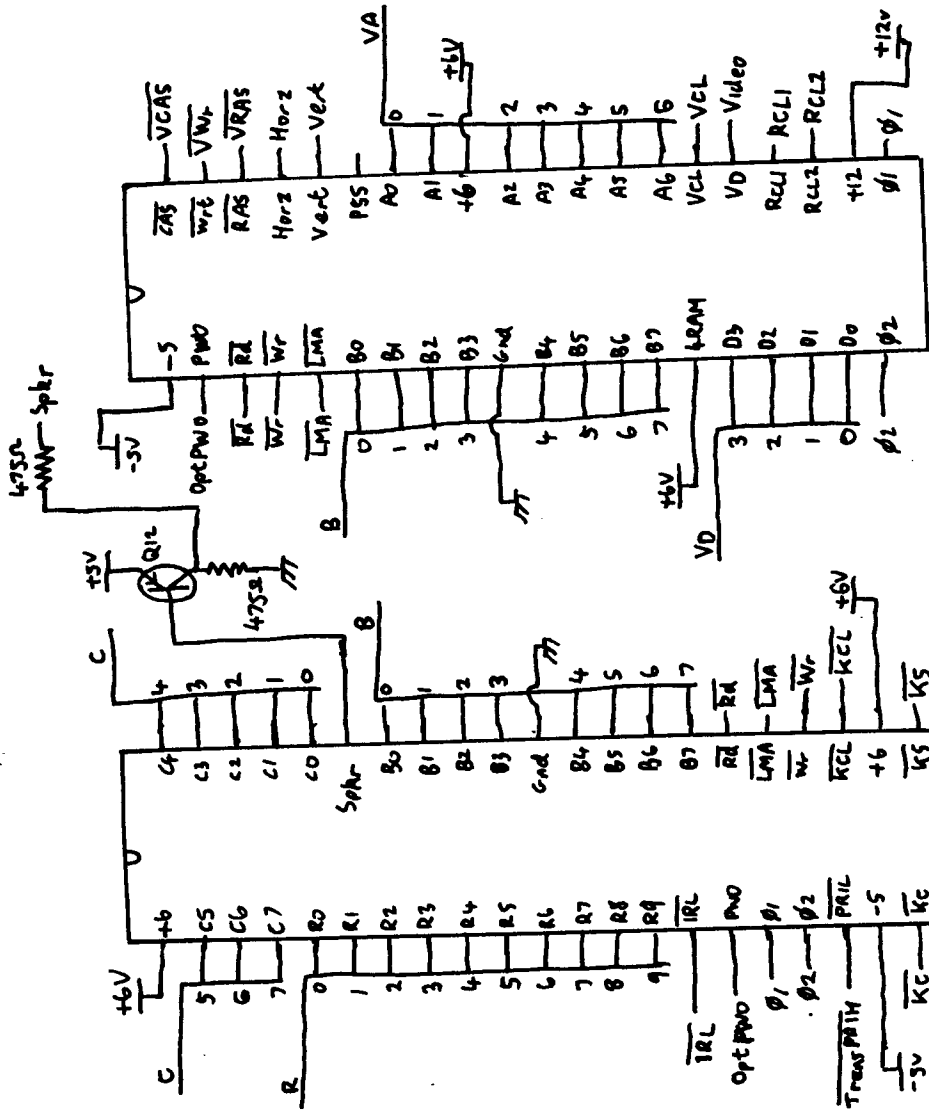
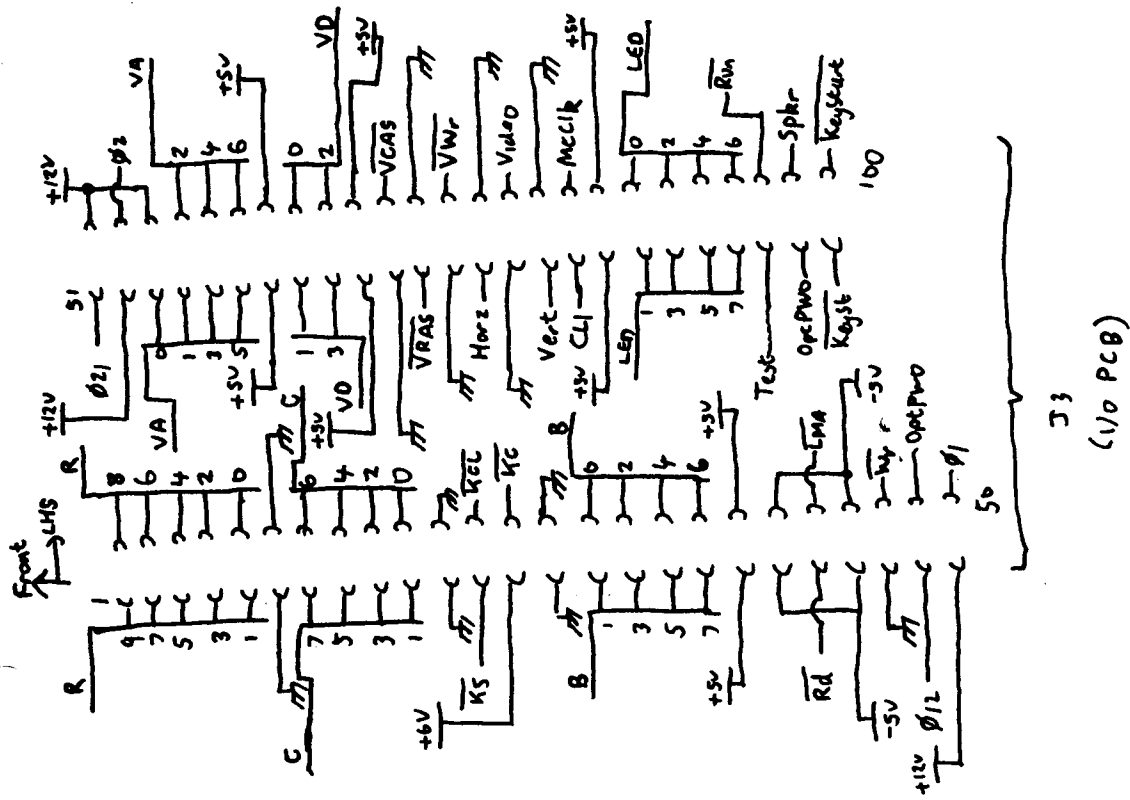




Option ROM

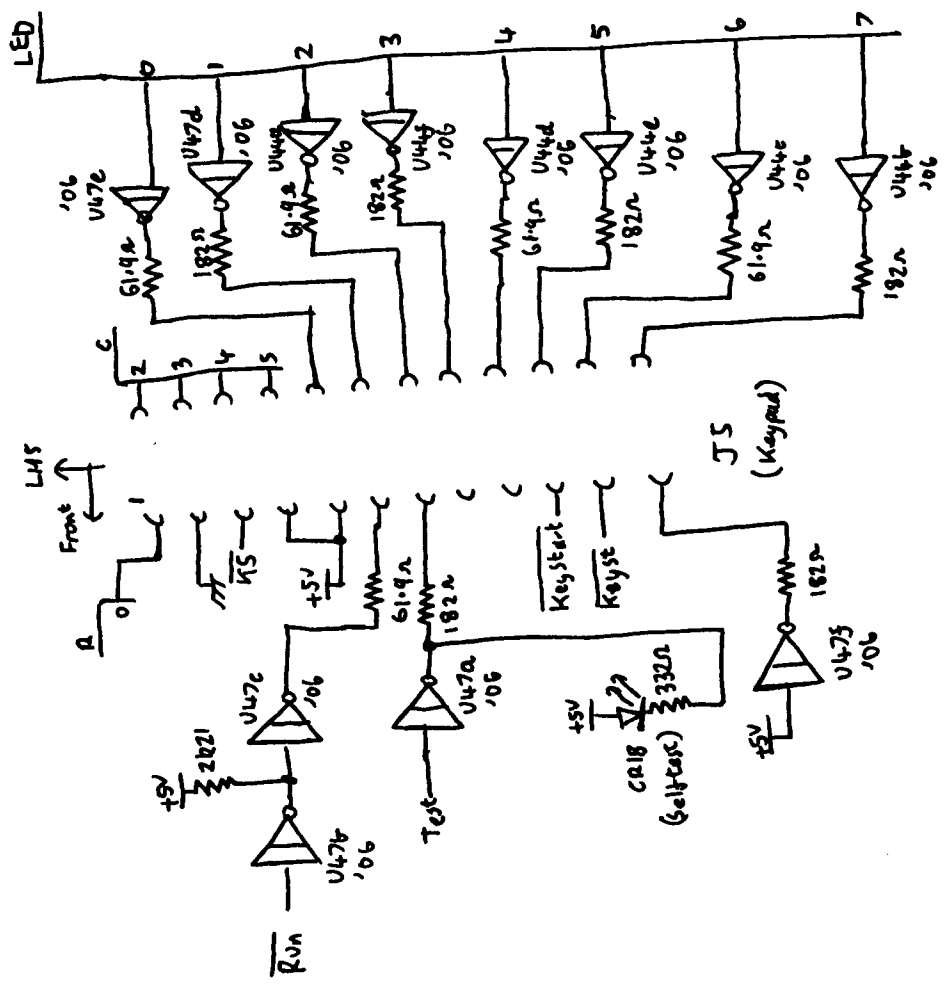
ROM



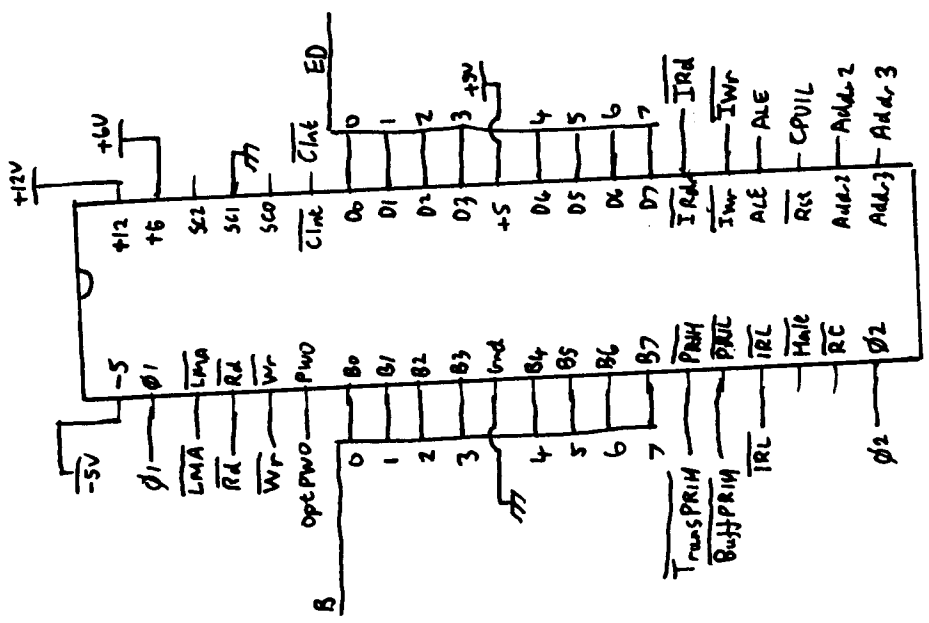


U42
IMAS-0101
CRT Controller

U43
IMB2-0001
Keyboard Controller

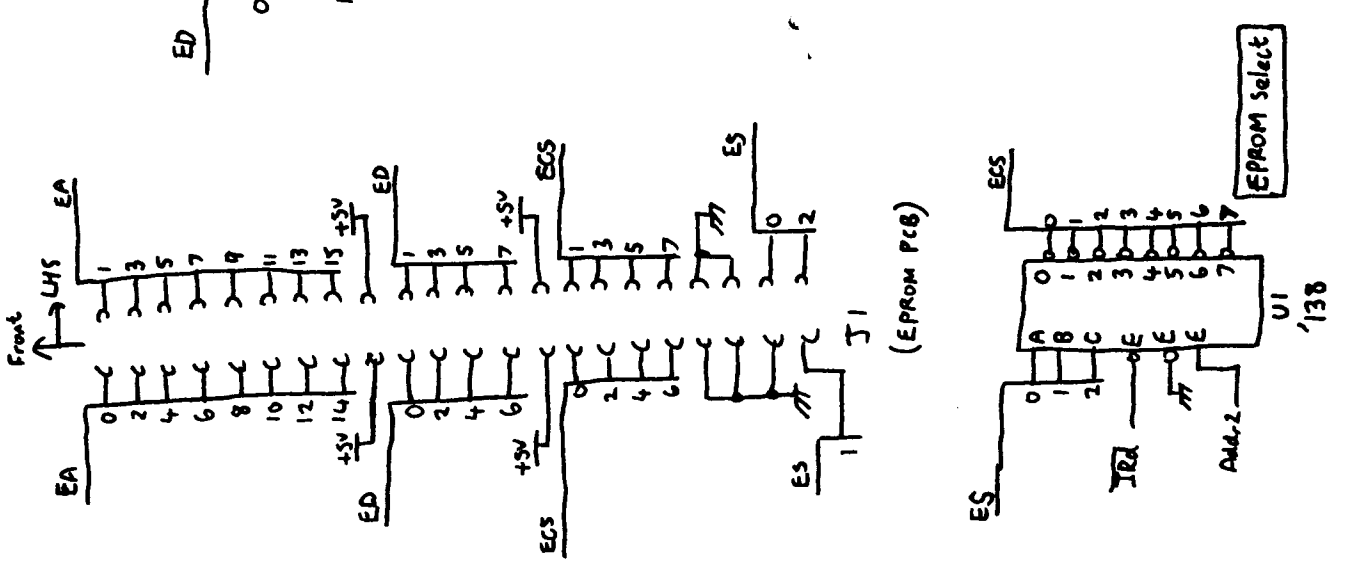
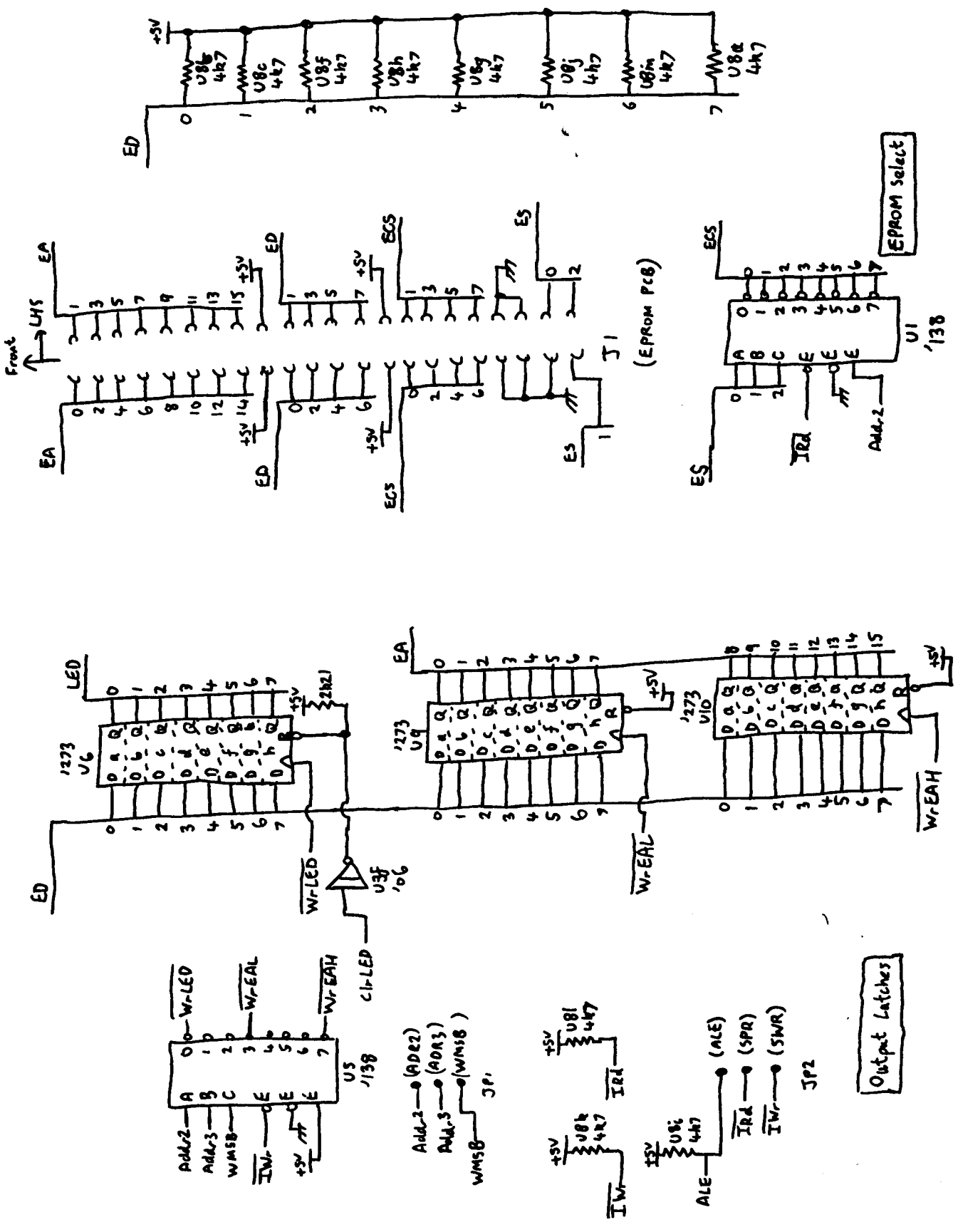


LED Drivers

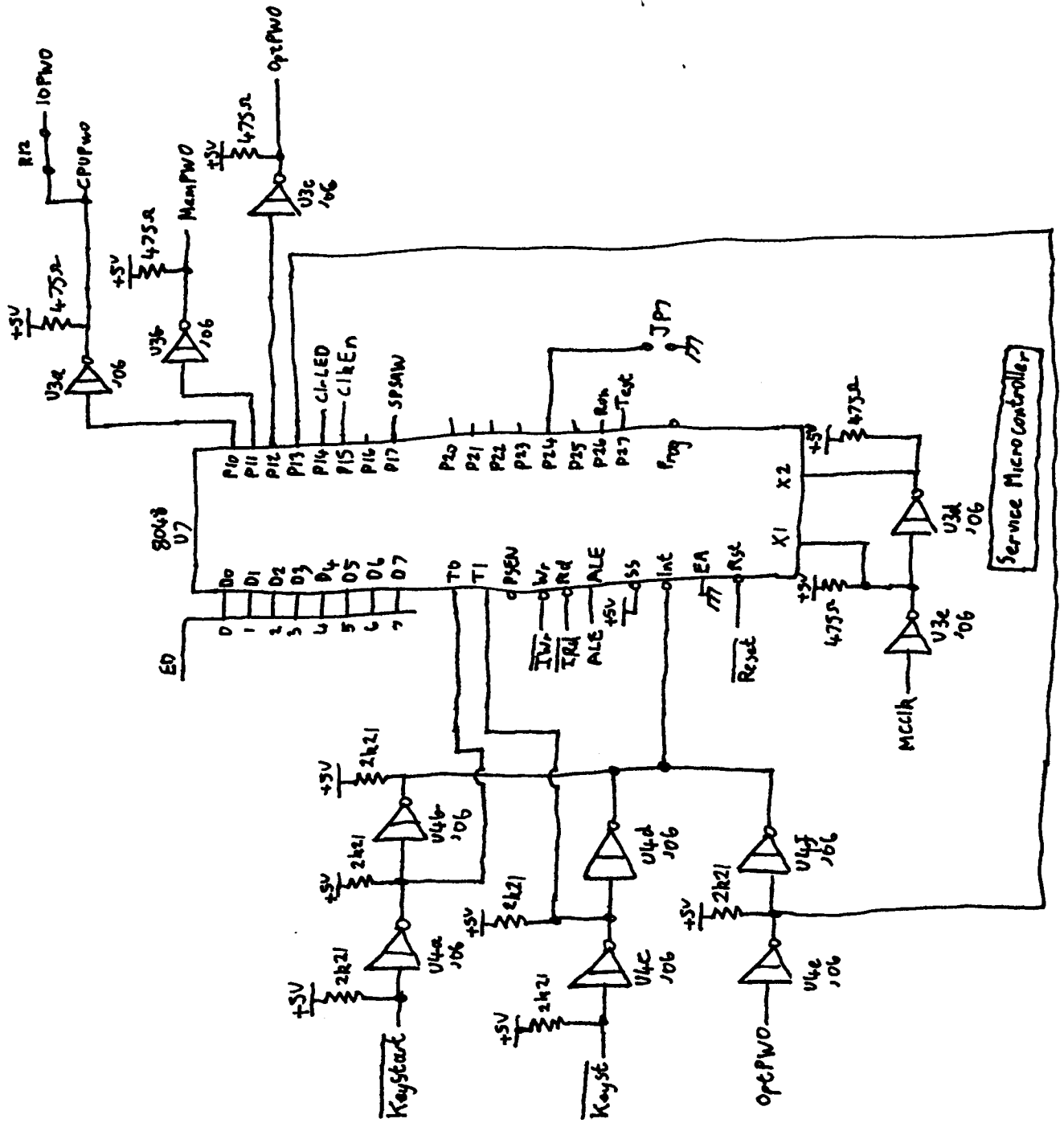


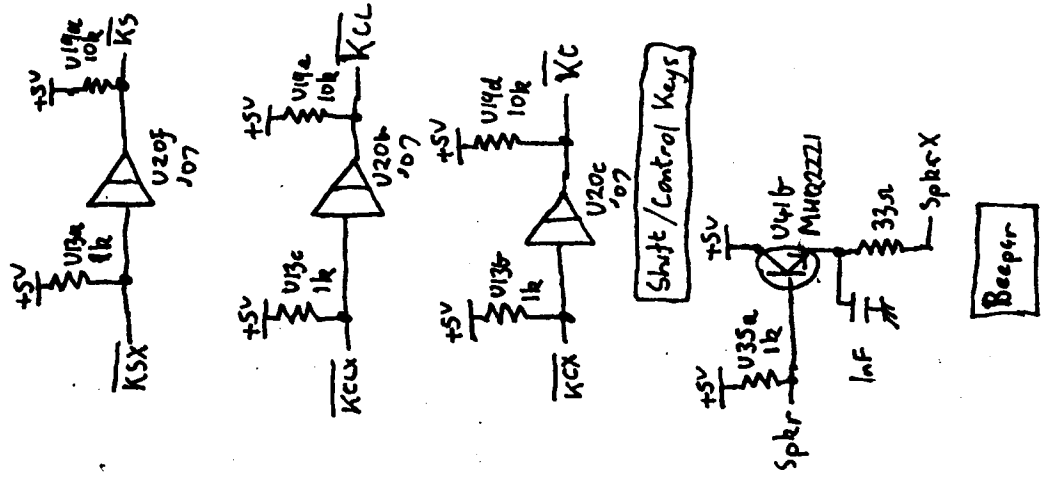
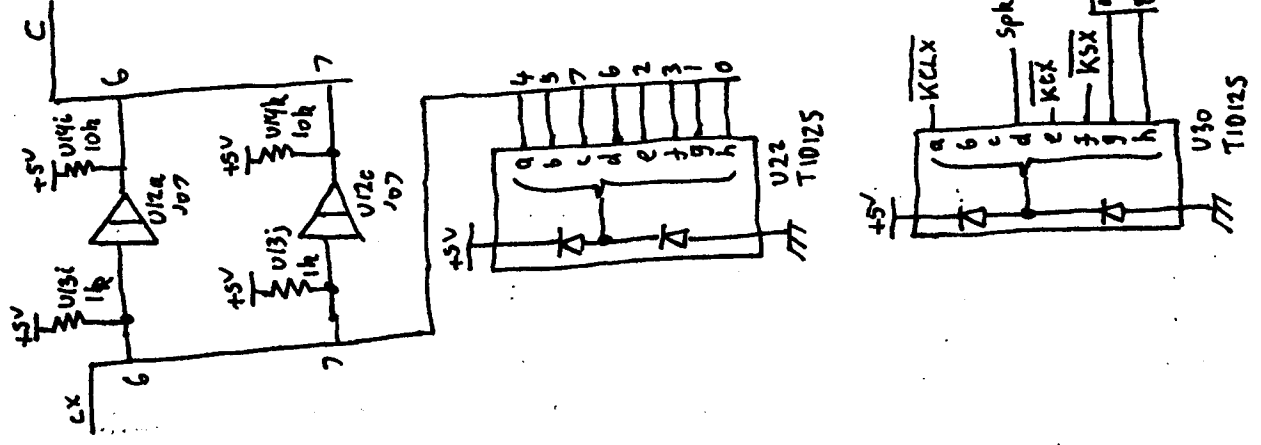
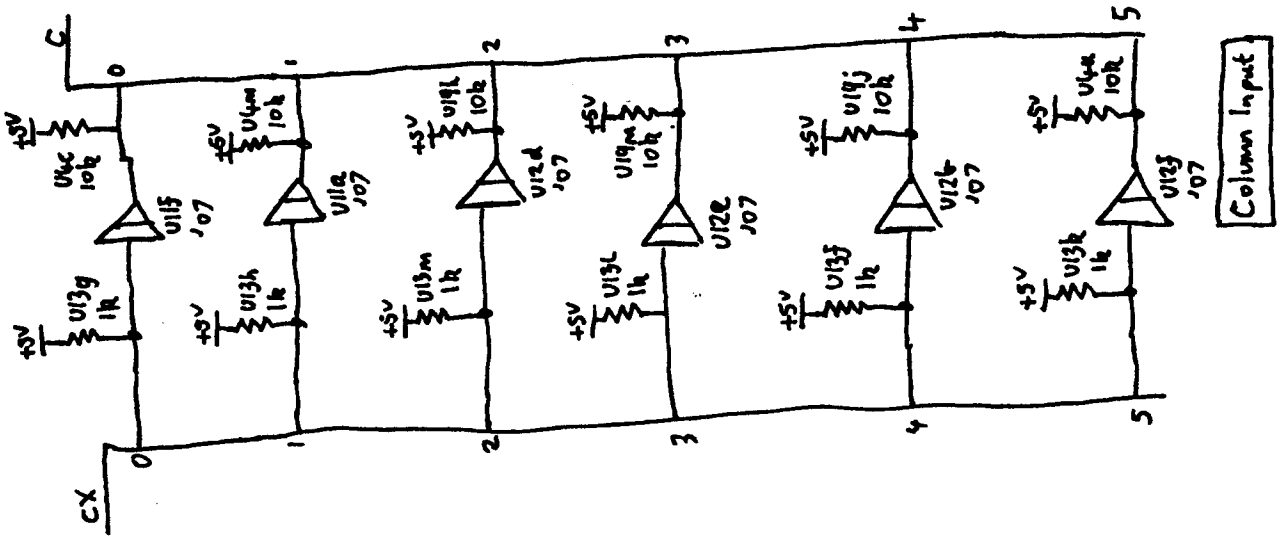
U28
1M85-0002
I/O Transistor

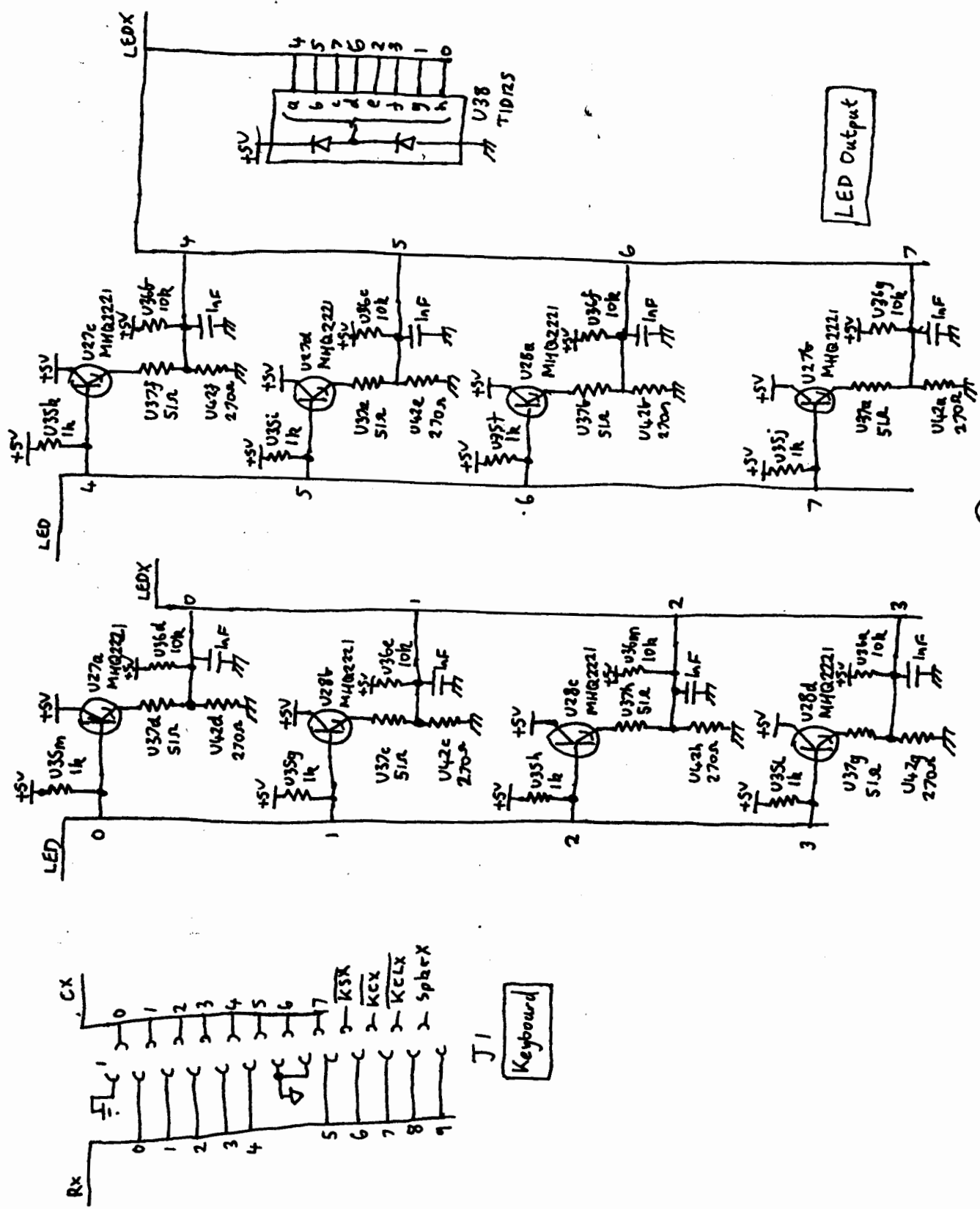
- phi1 -> (phi1)
- phi2 -> (phi2)
- CPUIL -> (CPUIL)
- SPSAW -> (SPSAW)
- CInt -> (CPSAW)
- JP4



09913-66511

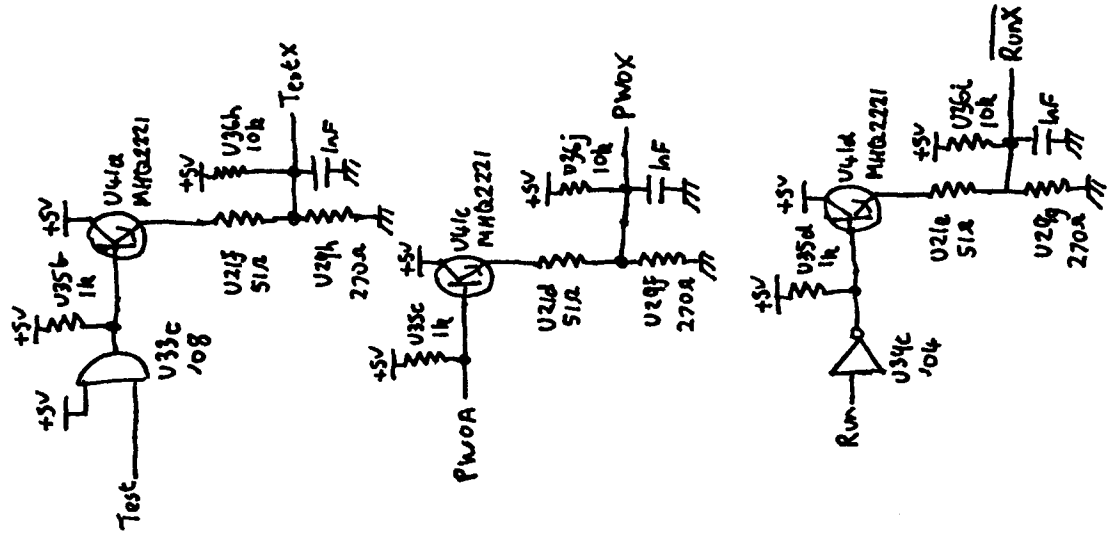
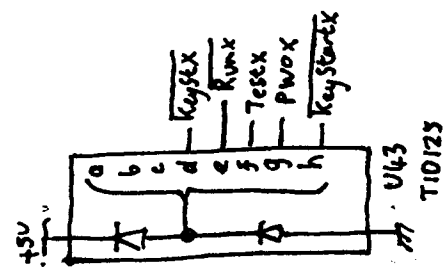
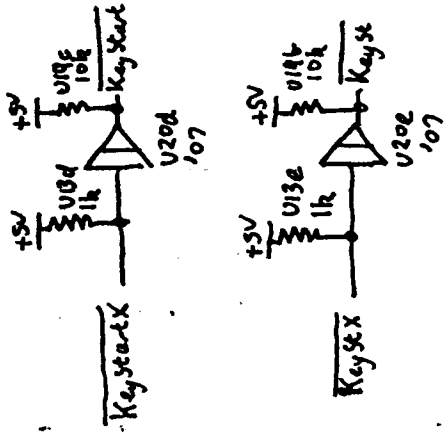




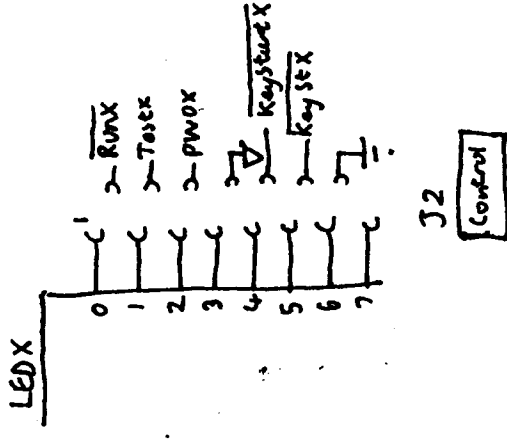


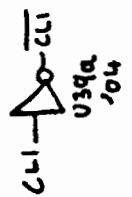
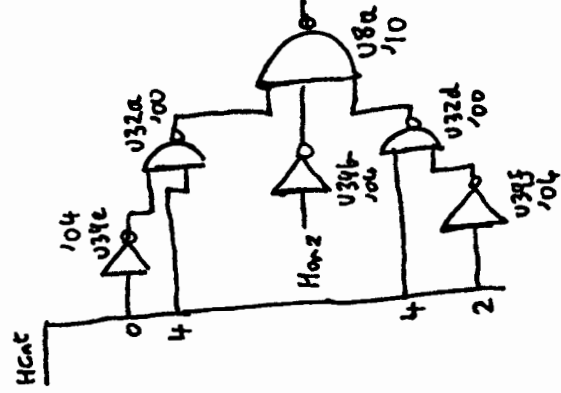
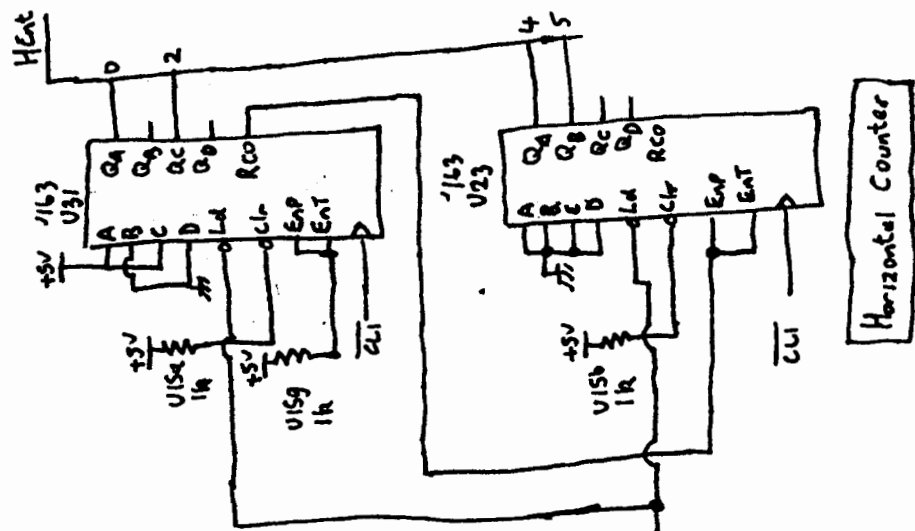
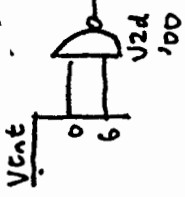
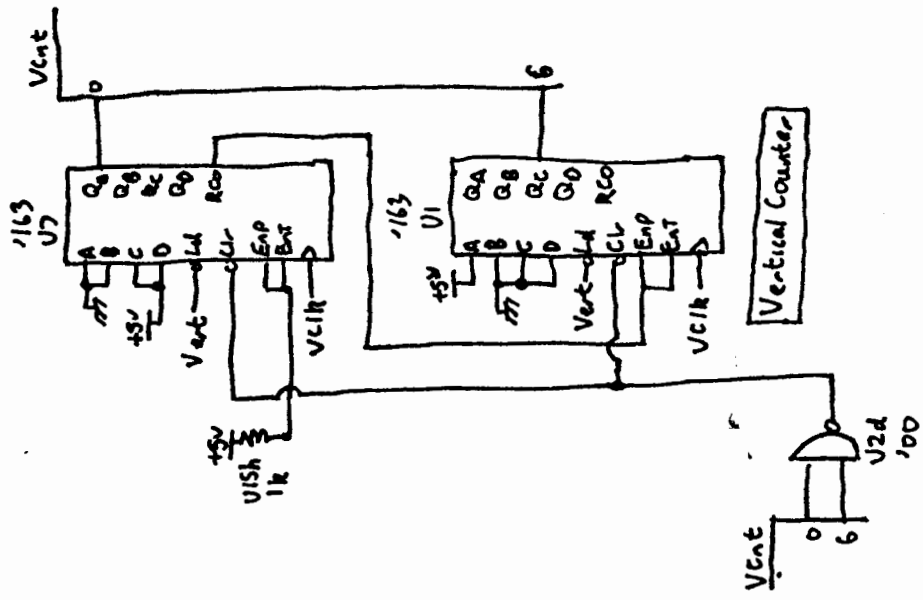
09915-66577

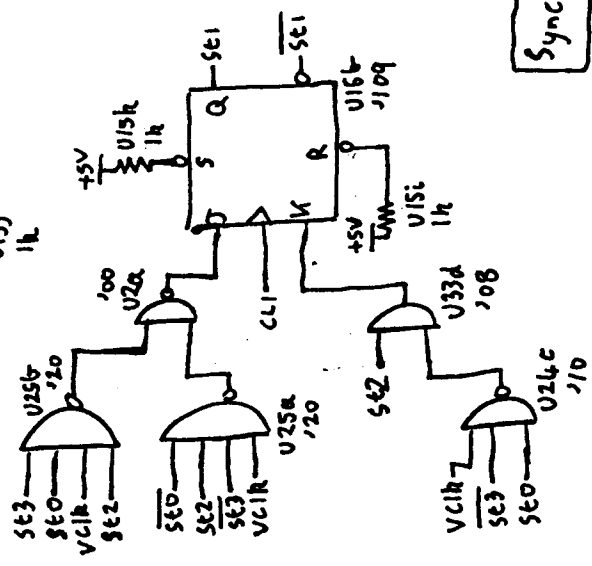
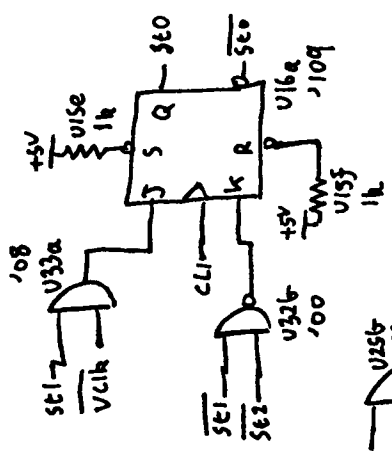
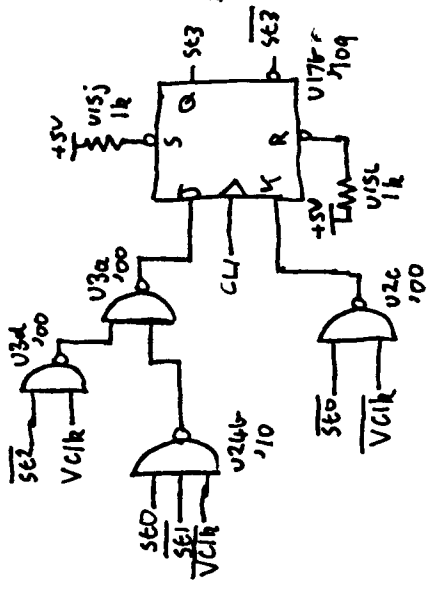
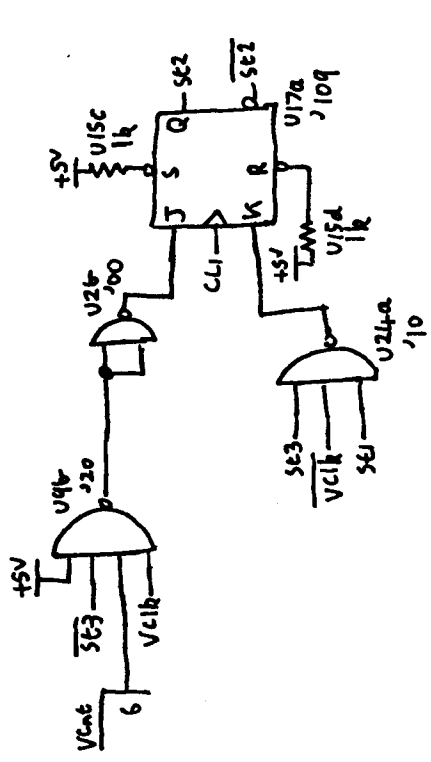
HP9115 I/O PCB Sheet (4)



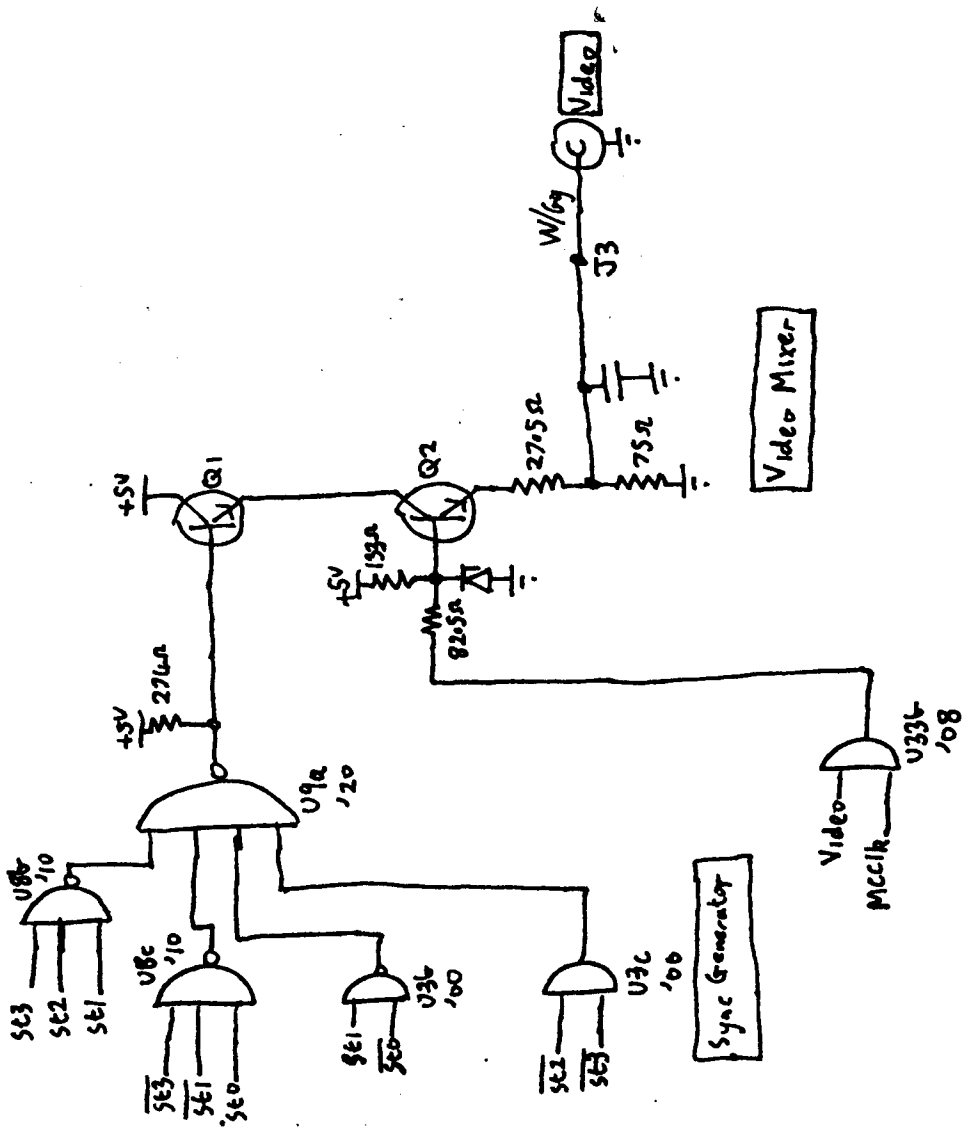
Status Buffers

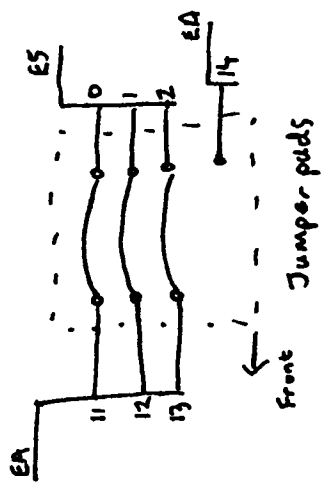
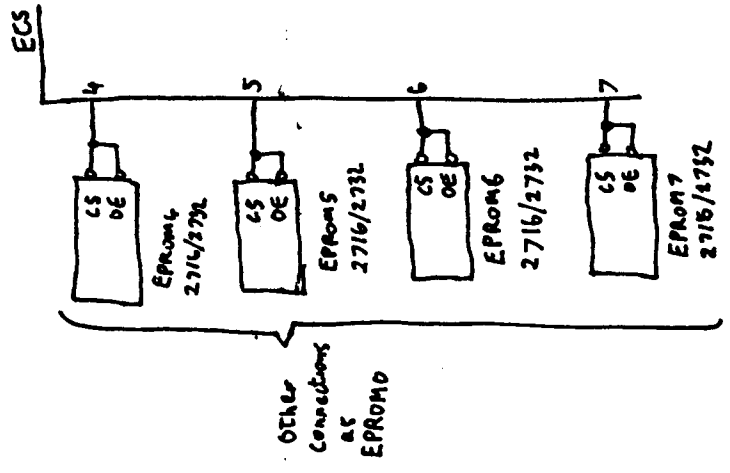
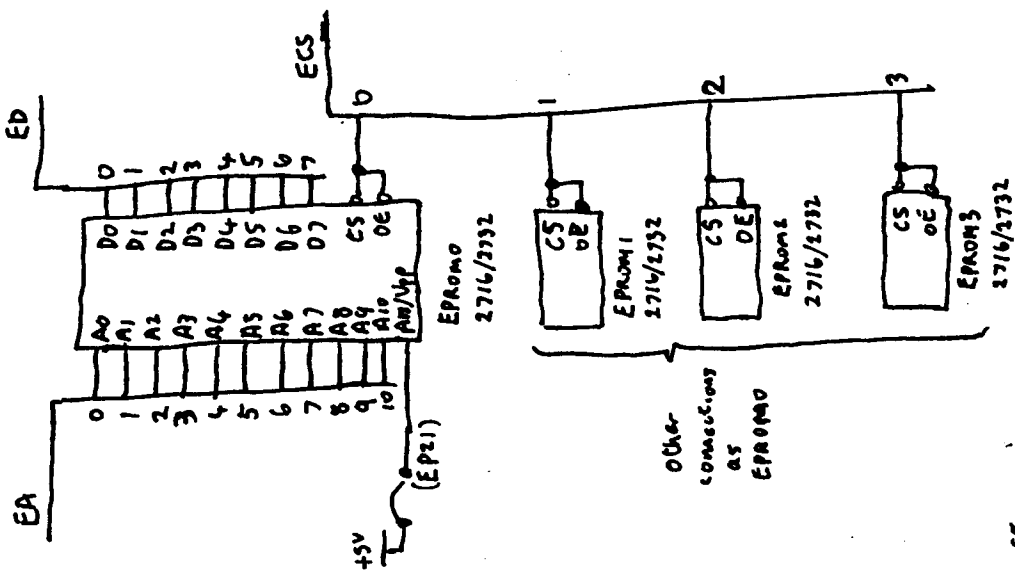
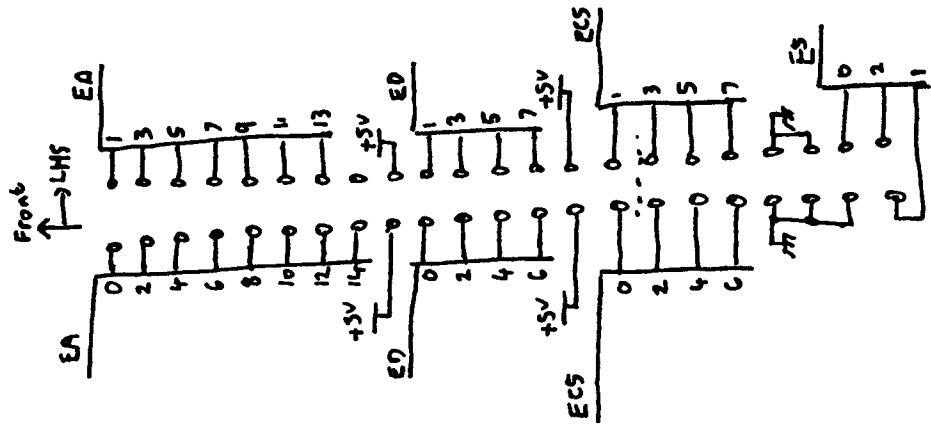


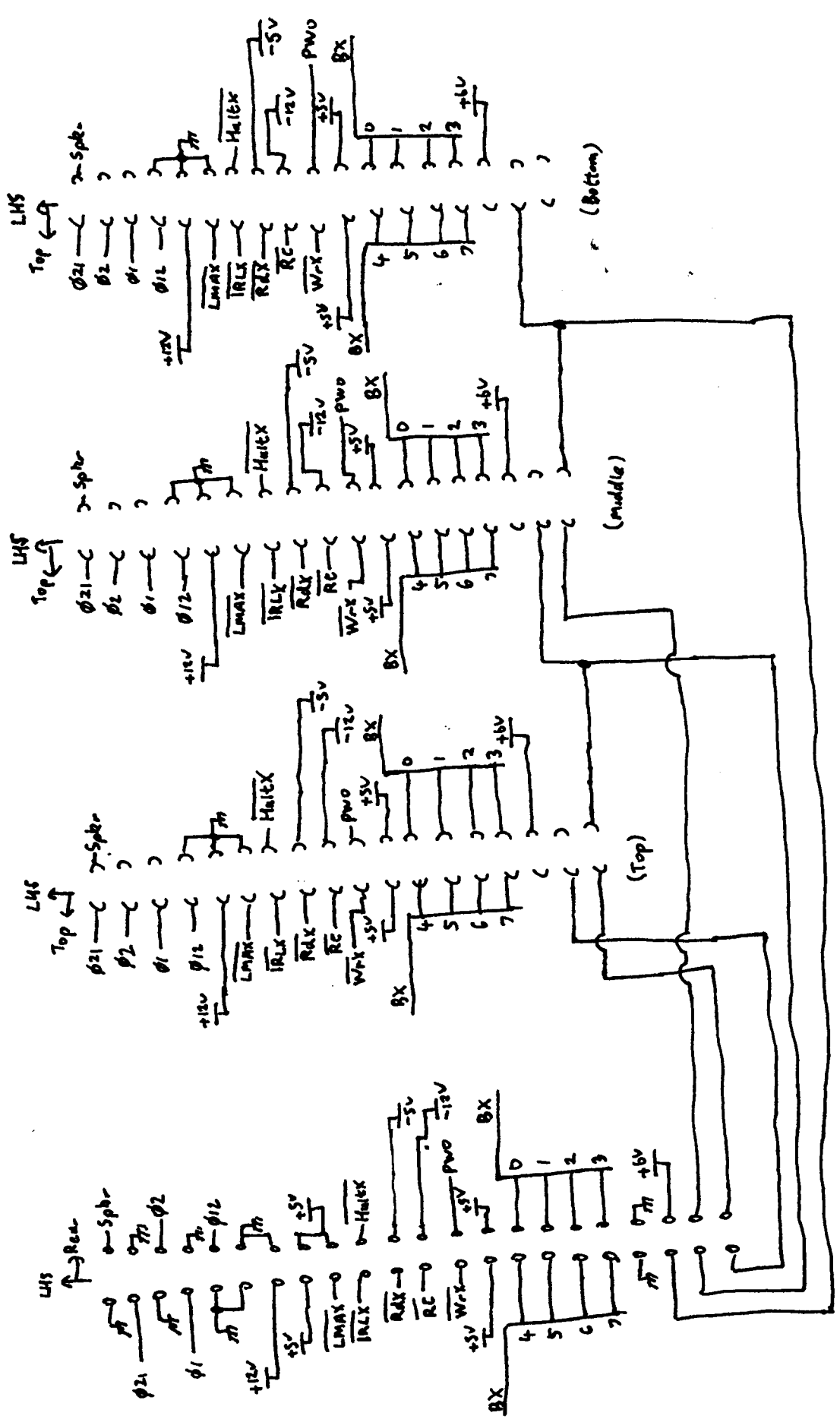


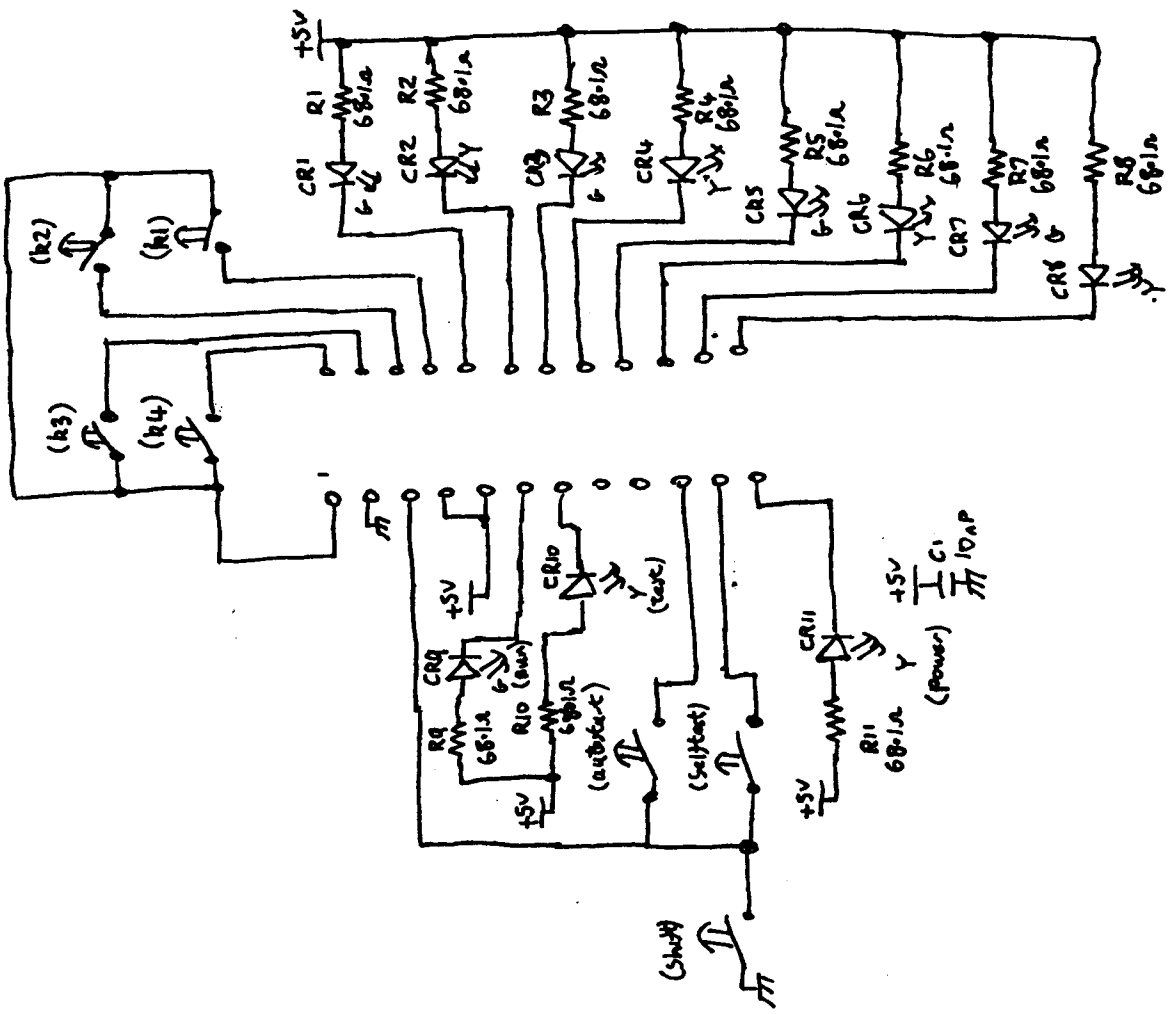


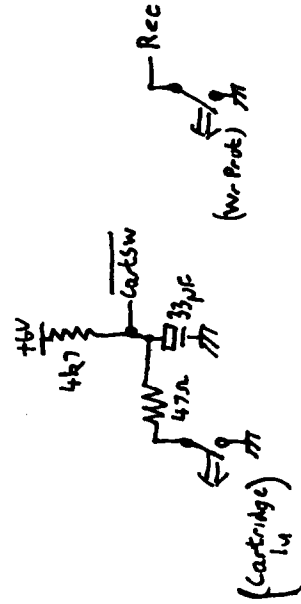
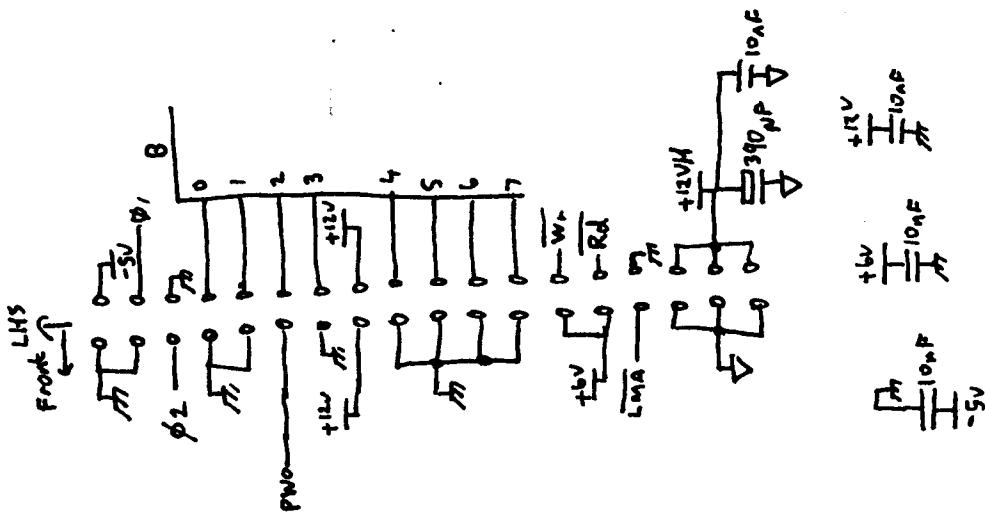
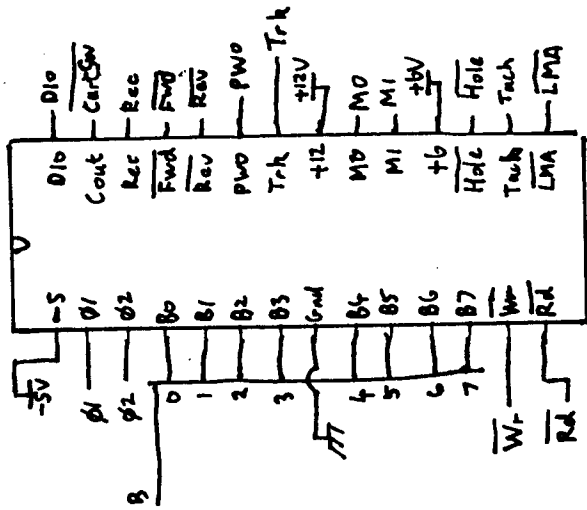
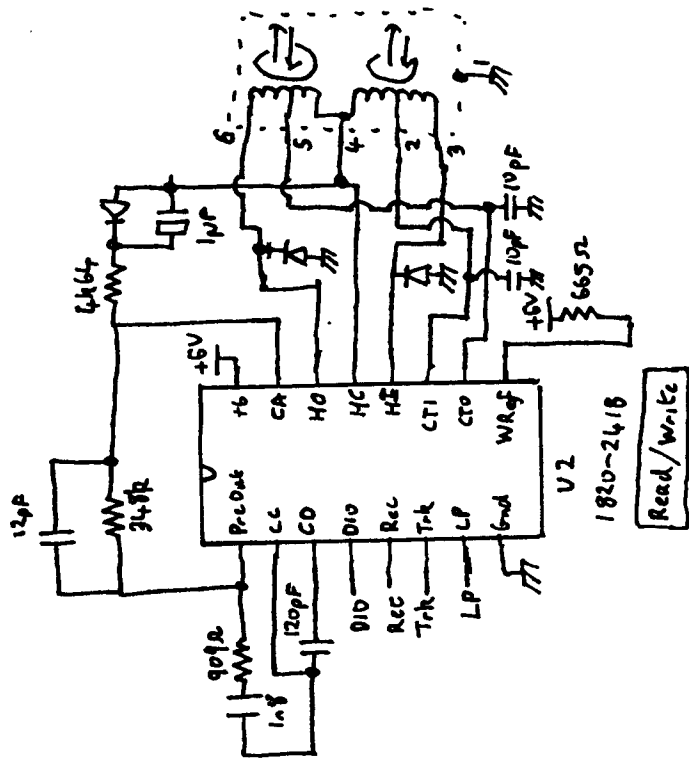
Sync State Machine

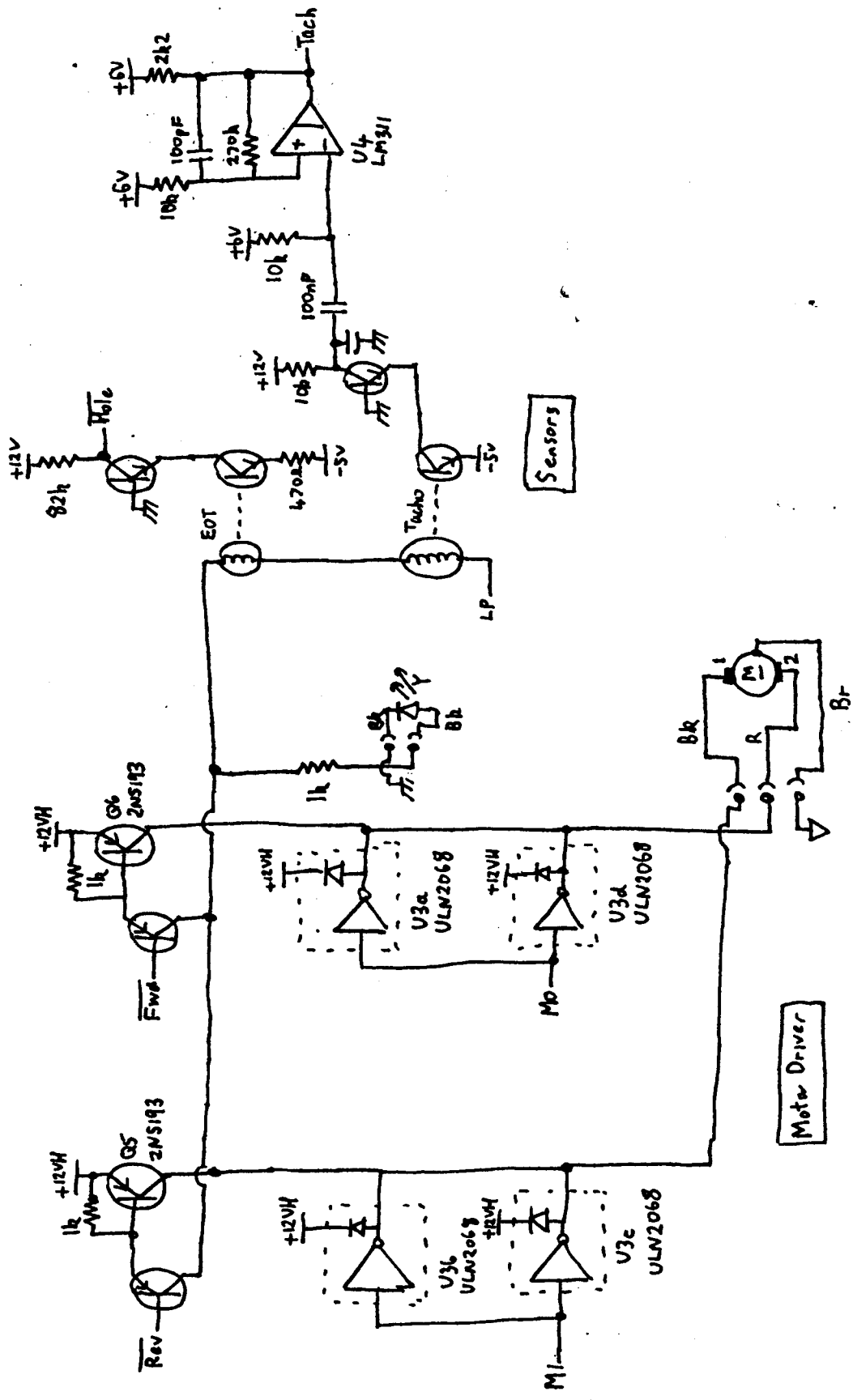


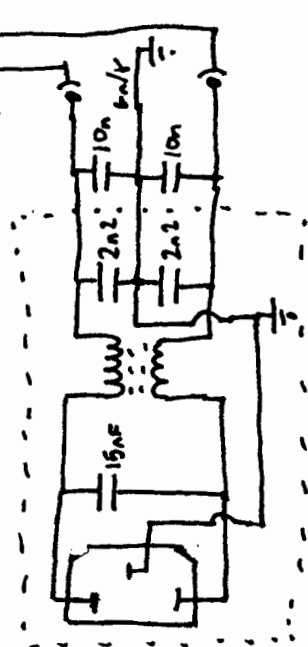
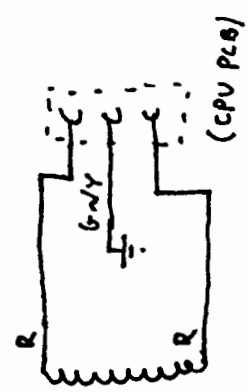
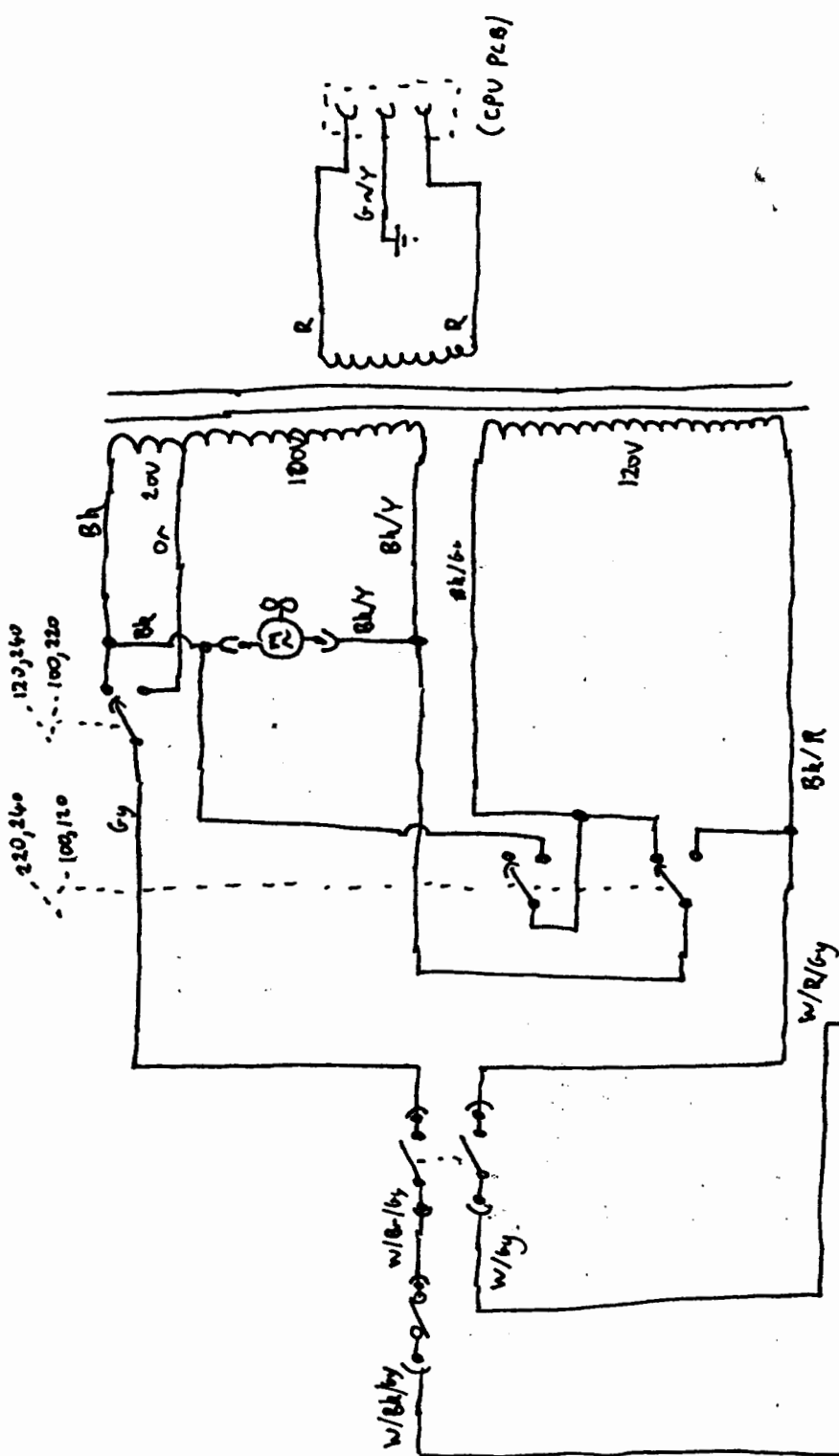












HP9915 Transformer Wiring